

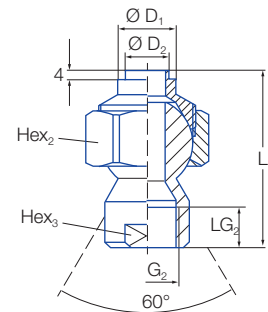
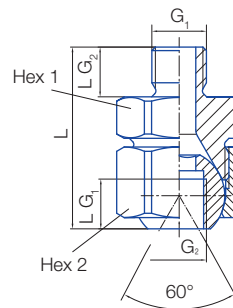
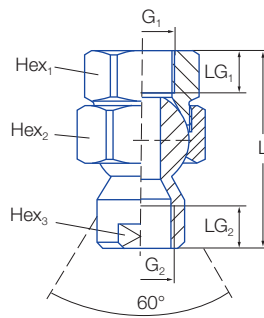


# Accessories Ball joints / Nipple

## Ball joints

For swivel mounting, Lechler ball joints can be used with low-noise flat jet and round jet nozzles. 30° swivel range in all directions. No wearing seals, long-term problemfree operation, even with frequent adjustment.

$p_{max} = 25 \text{ bar}$



Connection	Ordering no.					Dimensions [mm]											Weight (Brass)
	Type	Mat. no.			Code	D <sub>1</sub>	D <sub>2</sub>	G <sub>1</sub> BSPP	G <sub>2</sub> BSPP	L <sub>G1</sub>	L <sub>G2</sub>	L	Hex <sub>1</sub>	Hex <sub>2</sub>	Hex <sub>3</sub>		
		16 303 SS/ 316Ti SS	16 303 SS	30 Brass													
Ball joints with thread connection	① 092.020	-	○	○	AD	-	-	1/4	1/4	12.0	11.5	60.3	27	27	17	60 g	
	① 092.021	-	○	○	AF	-	-	3/8	1/4	12.0	11.5	58.3	27	27	17	80 g	
	② 092.024	-	○	○	AC	-	-	1/4	1/4	12.0	12.0	44.0	27	27	-	140 g	
	② 092.030	-	○	○	AE	-	-	3/8	3/8	12.0	12.0	44.0	27	30	-	160 g	
Ball joints with welding connection	③ 092.020	○	-	-	SD	20.0	15.0	-	1/4	-	11.5	64.3	-	27	17	60 g	
	③ 092.030	○	-	-	SF	22.0	15.0	-	3/8	-	12.0	58.7	-	30	19	80 g	

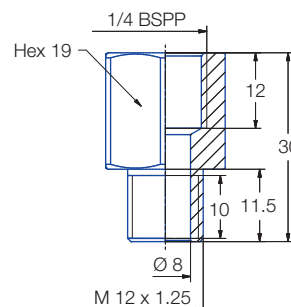
**Example of ordering:** Type + Mat. no. + Code = Ordering no.  
092.020 + 16 + AD = 092.020.16.AD

## Nipple

### 095.016.30.14.23.0

The nipple made of brass allows for connection of nozzles with compressed air guns. Suitable for the series:

- 600.130
- 600.283
- 600.332
- 600.606
- 600.493
- 600.484
- 600.326
- 544

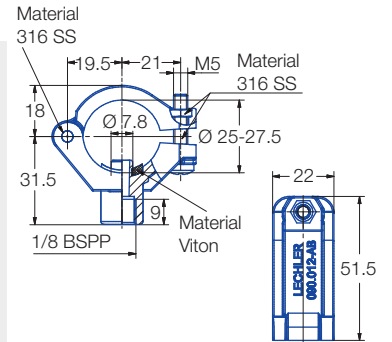
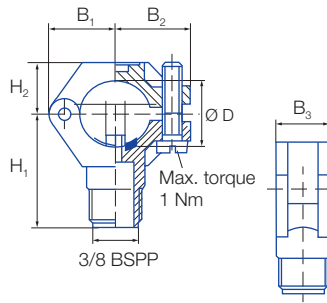




# Accessories

## Eyelet clamps / Double nipples / Nuts

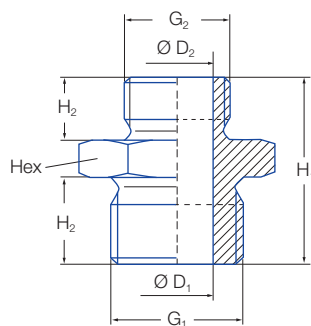
### Eyelet clamps



Ordering no.	Mat. no.			Screw	Dimensions [mm]								Weight (Polyamid)	
	51	53	5E		Pipe Ø	D Ø	B <sub>R</sub> * Ø	B** Ø	B <sub>1</sub>	B <sub>2</sub>	B <sub>3</sub>	H <sub>1</sub>		H <sub>2</sub>
Type	Polyamid	Polypropylene	PVDF											
<b>090.053</b>	○	○	○	Material 304 SS	3.8"	16.5-18.0	6.0	6.2 - 6.4	19.0	22.0	18.5	34.5	14.5	20 g
<b>090.003</b>	○	○	○		1/2"	20 - 22.0	6.0	6.2 - 6.4	21.2	23.8	18.5	36.5	16.5	20 g
<b>090.013</b>	○	○	○		3/4"	25 - 27.5	7.6	7.8 - 8.0	24.5	26.5	22.0	39.5	17.5	25 g
<b>090.023</b>	○	○	○		1"	32 - 34.5	10.6	10.8 - 11.0	30.0	31.0	22.0	44.0	21.0	32 g
<b>090.033</b>	○	○	○		1 1/4"	40 - 43.0	12.6	12.8 - 13.0	34.0	35.5	25.0	48.0	25.0	38 g
<b>090.012</b>	-	-	○	316 SS	3/4"	25 - 27.5	7.8	8.0 - 8.2	19.5	21.0	22.0	31.5	18.0	40 g

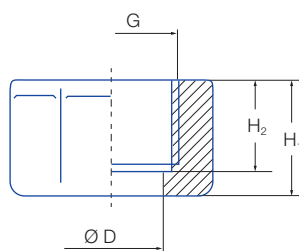
\*B<sub>R</sub> Ø = Spigot diameter  
\*\*B Ø = Recommended bore diameter

### Double nipples



Ordering no.	Mat. no.		Dimensions [mm]							Weight (Brass)
	17	30	G <sub>1</sub> BSPP	G <sub>2</sub> BSPP	H <sub>1</sub>	H <sub>2</sub>	D <sub>1</sub>	D <sub>2</sub>	Hex	
Type	316Ti SS	Brass								
<b>065.215</b>	○	○	3/8	1/4	25	10	10	7	22	30 g
<b>065.211</b>	○	○	3/8	3/8	25	10	11.5	-	22	25 g

### Retaining nuts



Ordering no.	Mat. no.					Dimensions [mm]					Weight (Brass)
	16	17	30	56	5E	G BSPP	H <sub>1</sub>	H <sub>2</sub>	D	Hex	
Type	303 SS	316Ti SS	Brass	POM	PVDF						
<b>065.200</b>	○	○	○	-	-	3/8	13.0	10.0	12.8	22	25 g
<b>065.200</b>	-	-	-	○	○	3/8	14.5	11.5	12.8	22	25 g