

iglidur® two hole flange bearings | Advantages New

Two hole flanged bearing with preload



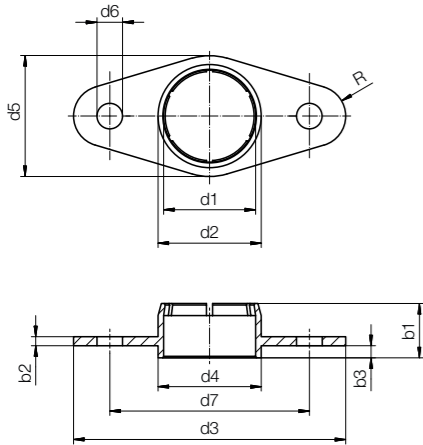
Order key

Type Size [mm]

J V FL - 10

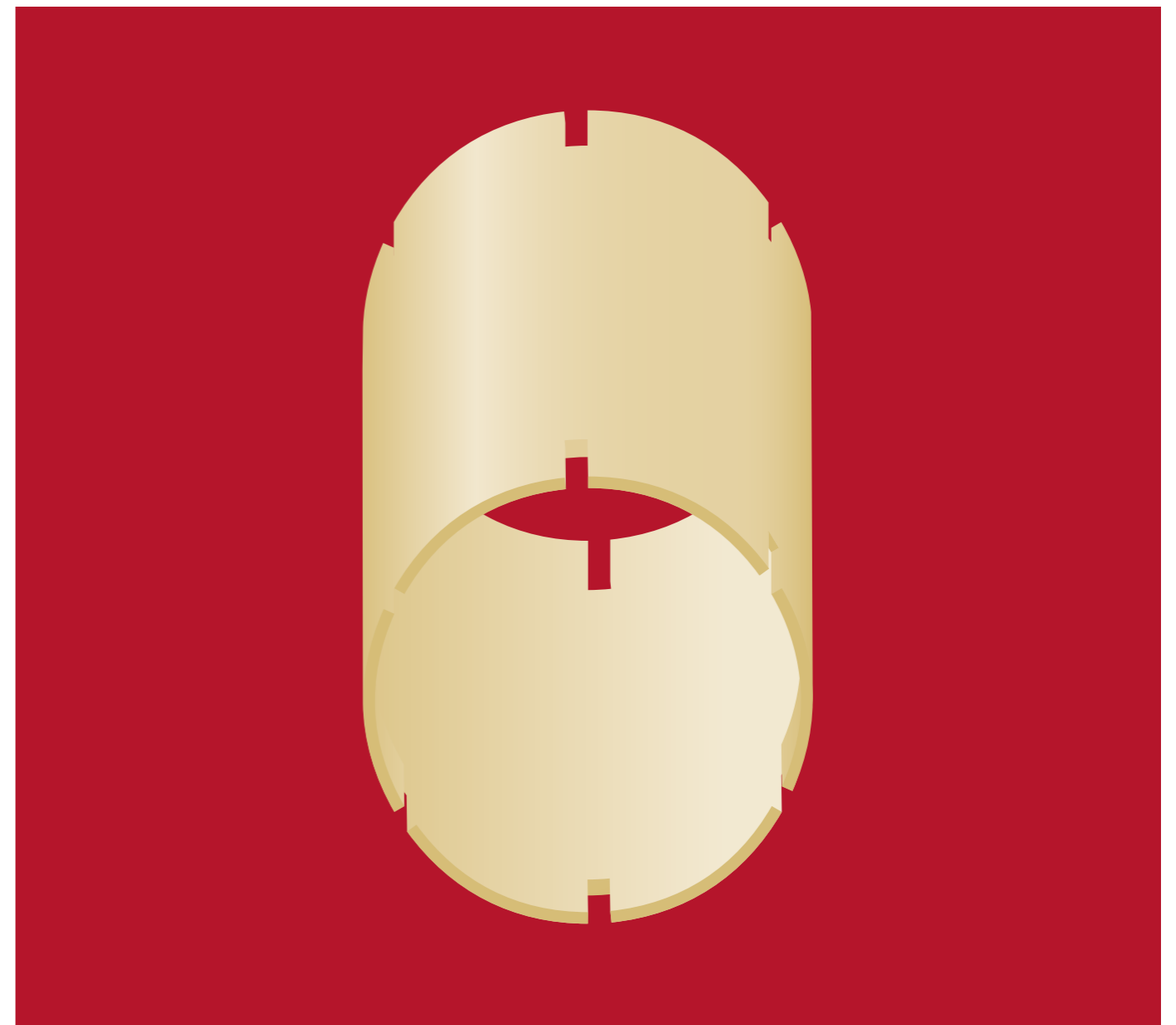
iglidur® material	Pre-loaded	Two hole flange bearings	Inner Ø	iglidur® material iglidur® J
-------------------	------------	--------------------------	---------	---------------------------------

- Corrosion resistance
- Self-lubricating due to incorporated solid lubricants
- Long service life thanks to high-performance polymers



Dimensions [mm]

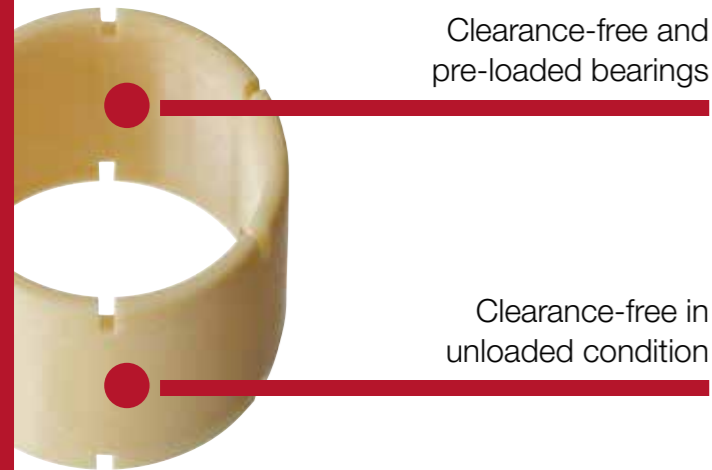
d1	d1 tolerance	d2	d3	d4	d5	d6	d7	b1	b2	b3	R (±0.2)	Part No.
10	+0.025 +0.083	12	30	14	15	4.5	22	6	2	1	4.0	JVFL-10
12	+0.032 +0.102	14	36	16	18	4.5	26	6	2	1	4.5	JVFL-12
16	+0.032 +0.102	18	48	20	24	5.5	34	6	2	1	5.5	JVFL-16
20	+0.040 +0.124	23	60	26	30	6.5	44	10	3	2	7.0	JVFL-20



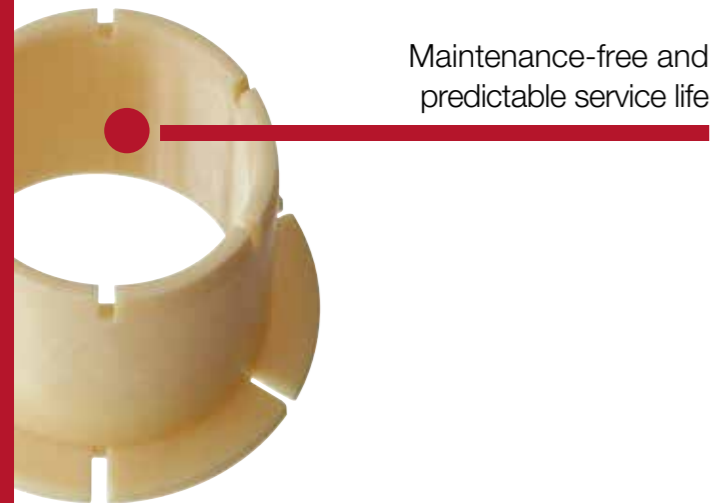
iglidur® clearance-free pre-loaded plain bearings

- Radial and axial pre-load
- Clearance-free in unloaded condition
- Material: iglidur® J
- Maintenance-free and predictable service life





Clearance-free and pre-loaded bearings



Clearance-free in unloaded condition



Maintenance-free and predictable service life

iglidur® clearance-free pre-loaded plain bearings

iglidur® JVSM and JVFM plain bearings are clearance-free in unloaded condition due to the axial and/or radial pre-load. The iglidur® J material possesses extremely low coefficient of friction in dry operation and a very low stick-slip effect. Ideal for "antivibration mounting" of pedal box bearings, etc.



When to use it?

- When a radial and/or axial pre-load of plain bearings is required
- When a rattle-free bearing in the unloaded state is required
- When you need a clearance-free feel



When not to use it?

- When a plain bearing solution with reduced clearance is needed
 - ▶ Please contact us
- When the pre-load has to withstand high radial forces
- When total zero clearance feature is required at high loads



2 types
Ø 6–20mm

More dimensions upon request



Imperial dimensions available
▶ From page 1605



Available from stock

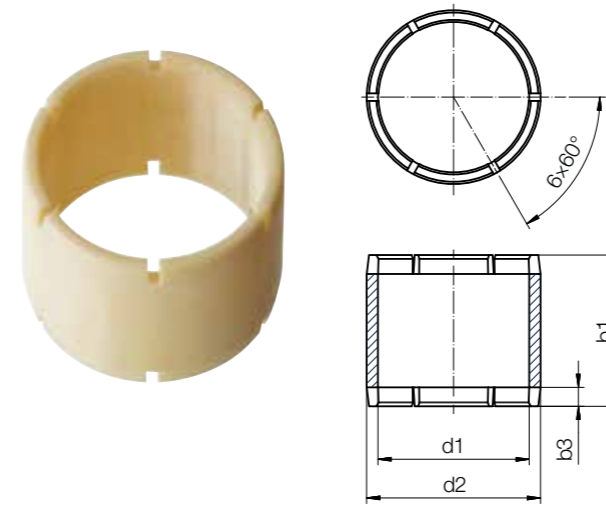
Detailed information about delivery time online.



Material:
iglidur® J ▶ Page 159



Max. +90°C
Min. -50°C



Order key

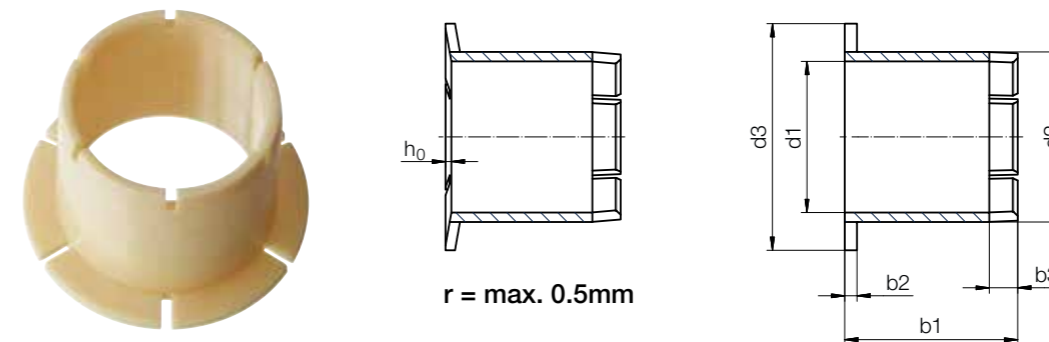
Type	Dimensions
J V S M-0608-06	
iglidur® material	Options:
Pre-loaded	Form:
Form S	S: sleeve
Metric	F: with flange
Inner Ø d1 [mm]	
Outer Ø d2 [mm]	
Length b1 [mm]	

Dimensions [mm]

d1	d1 tolerance ¹⁴⁾ E10	d2	b1 h13	b3	Part No.
6.0	+0.020 +0.068	8.0	6.0	2.0	JVSM-0608-06
8.0	+0.025 +0.083	10.0	8.0	2.0	JVSM-0810-08
10.0	+0.025 +0.083	12.0	10.0	2.0	JVSM-1012-10
12.0	+0.032 +0.102	14.0	12.0	2.0	JVSM-1214-12
14.0	+0.032 +0.102	16.0	14.0	2.0	JVSM-1416-14
15.0	+0.032 +0.102	17.0	15.0	2.5	JVSM-1517-15
18.0	+0.032 +0.102	20.0	18.0	2.5	JVSM-1820-18
20.0	+0.040 +0.124	23.0	20.0	2.5	JVSM-2023-20

¹⁴⁾ d1 measured after press-fit in housing hole. d2 H7 within the measurement plane

Clearance-free, pre-loaded flanged bearings



Dimensions [mm]

d1	d1 tolerance ¹⁴⁾ E10	d2	d3	b1 h13	b2	b3	h ₀ ±0.1	Part No.
8	+0.025 +0.083	10	15	10	1.0	2.0	0.44	JVFM-0810-10
10	+0.025 +0.083	12	18	10	1.0	2.0	0.53	JVFM-1012-10
12	+0.032 +0.102	14	20	12	1.0	2.0	0.53	JVFM-1214-12
14	+0.032 +0.102	16	22	12	1.0	2.0	0.53	JVFM-1416-12
15	+0.032 +0.102	17	23	15	1.0	2.5	0.53	JVFM-1517-15
18	+0.032 +0.102	20	26	11	1.0	2.5	0.53	JVFM-1820-11
18	+0.032 +0.102	20	26	18	1.0	2.5	0.53	JVFM-1820-18
20	+0.040 +0.124	23	30	20	1.5	2.5	0.62	JVFM-2023-20

¹⁴⁾ d1 measured after press-fit in housing hole. d2 H7 within the measurement plane