



# E2 micro

## Small inner heights and bend radii



### Advantages of the E2 micro series:

- For the smallest applications
- Lightweight and cost-effective
- Quiet operation due to small pitch
- Ideal for applications with low inertia
- Variety of options - E2 micro as non-openable or openable along the inner or outer radius



### When to use another e-chain® series:

- When openable crossbars are required
  - ▶ E2.1 micro, page 334
  - ▶ zipper, page 240
- When easy filling with connectorised cables is required
  - ▶ easy chain®, page 212

Universal connection:  
mounting bracket with  
strain relief option

Cost-efficient:  
very lightweight, low price

Smooth Design:  
dirt-repellent outer contour

Smooth running:  
small pitch for low-  
noise, smooth running

Cost-effective:  
one-piece design,  
non-openable

Series 074 /094:  
moulded crossbar,  
openable along the inner  
radius with film hinge

Series B07/B09:  
openable along the  
outer radius


## Smallest inner heights and bend radii - E2 micro

E2 micro e-chains® are very small, one- and two-piece (B07/B09) e-chains® with low weight, making them ideal for highly dynamic applications. E2 micro e-chains® are optimised for the smallest installation spaces, and are available in many versions. igus® also offers a range of accessories and fixation options. Upgrades of the openable versions are available for many types; different types are interchangeable and can therefore be used as, spare parts for existing applications, for example.

### Typical industries and applications

- Models (micro e-chain®)
- Automatic doors
- Vehicles
- Measuring machines
- Electronic engineering
- Handling
- Pick und place robots
- General machinery, etc.

 Cleanroom test upon request

 UL94-V2 classification - for series 03, 074, 094 (UL94-V0 upon request)

 **iF product design award**  
1989 igus® series 05

Series	Inner height <i>hi</i> [mm]	Inner width <i>Bi</i> [mm]	Outer width <i>Ba</i> [mm]	Outer height <i>ha</i> [mm]	Bend radius <i>R</i> [mm]	Unsupported length ≤ [m]	Page
--------	--------------------------------	-------------------------------	-------------------------------	--------------------------------	------------------------------	--------------------------	------



**E2 micro - one-piece design**  
non-openable

03	5	5 - 10	8.70 - 13.7	8	010 - 028	0.40	280
04	7	7 - 30	12 - 35	10	015 - 048	0.50	282
05	10	6 - 64	10 - 68	12	018 - 038	0.55	284
045	10.3	6 - 64	12 - 70	12.5	018 - 083	0.50	286
06 <sup>1)</sup>	10.5	6 - 64	12.5 - 71	15	018 - 038	0.60	290
08 <sup>2)</sup>	15	10 - 50	18.2 - 58.2	19.3	025 - 048	1.00	300



**E2 micro - one-piece design**  
openable along the inner radius with film hinge

074	11.5	10 - 20	16.3 - 26.3	15	018 - 038	0.55	292
094	15.6	10 - 30	18.2 - 38.2	19.3	028 - 048	1.00	294



**E2 micro - two-piece design**  
openable along the outer radius


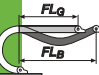


B07 <sup>3)</sup>	10.3	16 - 40	22.5 - 47	15	018 - 038	0.55	288
B09 <sup>4)</sup>	14.3	16 - 40	24.2 - 48.2	19.3	028 - 048	1.00	296

For new designs we recommend E2.1 micro system, series: 1) E2C.10, 2) E2C.15, 3) E2.10, 4) E2.15 ▶ From page 334

 Available from stock. Ready to ship in 24 - 48hrs.\*

\*Average time before the ordered goods are dispatched.

Technical data

	Speed gliding / acceleration gliding	$\leq 3$ [m/s] / $\leq 10$ [m/s <sup>2</sup> ]
	Speed $FL_G$ / acceleration $FL_G$	$\leq 20$ [m/s] / $\leq 200$ [m/s <sup>2</sup> ]
	Speed $FL_B$ / acceleration $FL_B$	$\leq 3$ [m/s] / $\leq 6$ [m/s <sup>2</sup> ]
	Material - permitted temperature °C, igumid G	-40°C / +120°C
	Material - permitted temperature °C, igumid NB (only series 03, 074, 094)	-40°C / +80°C
	Material lower part - permitted temperature °C, igumid G (only series B07, B09)	-40°C / +120°C
	Material crossbar - permitted temperature °C, igumid NB (only series B07, B09)	-40°C / +80°C
	Flammability class	igumid G = VDE 0304 IIC UL94-HB / igumid NB = VDE 0304 IIC UL94-V2








■  $FL_G$  = unsupported with straight upper run ■  $FL_B$  = unsupported with permitted sag

Installation types, maximum travels

Series	Unsupported	Vertical hanging	Vertical standing	Side mounted unsupported	Rotary	Zig-zag
03	$\leq 0.80m$	upon request	upon request	upon request	with rework	upon request
04	$\leq 1.00m$	upon request	upon request	upon request	with rework	upon request
05	$\leq 1.10m$	upon request	upon request	upon request	with rework	upon request
045	$\leq 1.00m$	upon request	upon request	upon request	with rework	upon request
B07 <sup>3)</sup>	$\leq 1.10m$	upon request	upon request	upon request	with rework	upon request
06 <sup>1)</sup>	$\leq 1.20m$	upon request	upon request	upon request	with rework	upon request
074	$\leq 1.10m$	upon request	upon request	upon request	with rework	upon request
094	$\leq 2.00m$	upon request	upon request	upon request	with rework	upon request
B09 <sup>4)</sup>	$\leq 2.00m$	upon request	upon request	upon request	with rework	upon request
08 <sup>2)</sup>	$\leq 2.00m$	upon request	upon request	upon request	with rework	upon request

For new designs we recommend E2.1 micro system, series: 1) E2C.10, 2) E2C.15, 3) E2.10, 4) E2.15 ▶ From page 334

Options with order keys | Examples based on series 08


	Standard	NC version - (No Camber) without pretension	Reverse Bend Radius (RBR) for circular movements	ESD - electrically conductive material
Part No. Standard	Part No. NC version	Part No. RBR	Part No. igumid ESD**	
				
	08.50.R.0	08.50.R.0.NC	08.50.R1/R2.0	08.50.R.0.ESD
	Ready to ship in 24 - 48hrs.*	Ready to ship in 3-5 business days*	Ready to ship in 12 business days* <sup>Ⓢ</sup>	Delivery time upon request*

Ⓢ RBR version (Reverse Bend Radius) - some radii available from stock - further information and the complete product range ▶ From page 130


▲ \*\*If an ESD-Version (Electro Static Discharge) from stock is required, please select a E2.1 system ▶ Form page 334

\*Average time before the ordered goods are dispatched.

Order example | Order key and colour examples | Examples based on series 08

 Order example for complete e-chain® (1.0m), colour black, with mounting brackets and interior separation:

e-chain® (1.0m)	Please indicate e-chain® length or number of links: 1.0m or 50 links	08.50.038.0
+ Mounting brackets	1 set (with tiwrap plates)	080.50.12PZ
Interior separation	with 2 separators assembled every 2 <sup>nd</sup> link	2 x B09.2.1
Order text:	1m 08.50.038.0 + 080.50.12PZ + 2 x B09.2.1	

 Order key

One-piece, non-openable

08.50.038.0

Series / Type

Width index (depends on B)

Bend radius R

Colour index (standard black)

Order index for colour options

Colour	Order index	Colour	Order index
Black	Standard .0	Orange	Special colour .2
Silver-grey	Special colour .31	Yellow	Special colour .4
White	Special colour .1	Light grey	Special colour .14
Grey-white	Special colour .1S		

Black e-chains® ready to ship in 24 - 48hrs.\*

Above special colours upon request.



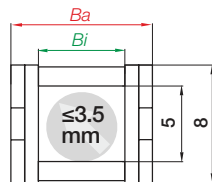
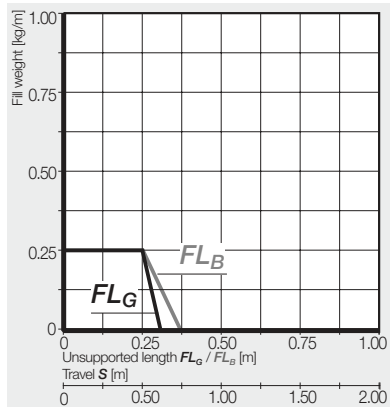
## e-chains® | Series 03 | One-piece, non-openable

Part No.	Bi [mm]	Ba [mm]	R Available bend radii [mm]	Weight [kg/m]
03.05.R.0®	5	8.7	010   012   015   018   028	≈ 0.04
03.07.R.0	7	10.7	010   012   015   018   028	≈ 0.05
03.10.R.0®	10	13.7	010   012   015   018   028	≈ 0.06

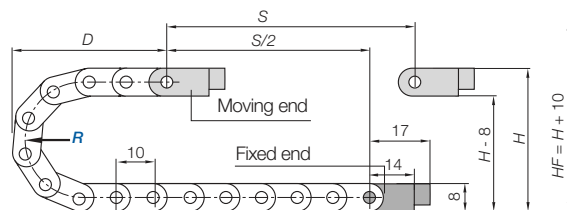
© RBR version (Reverse Bend Radius), some radii available from stock. More information ► From page 130

Complete Part No. with required radius (R). Example: 03.05.028.0

## Installation dimensions

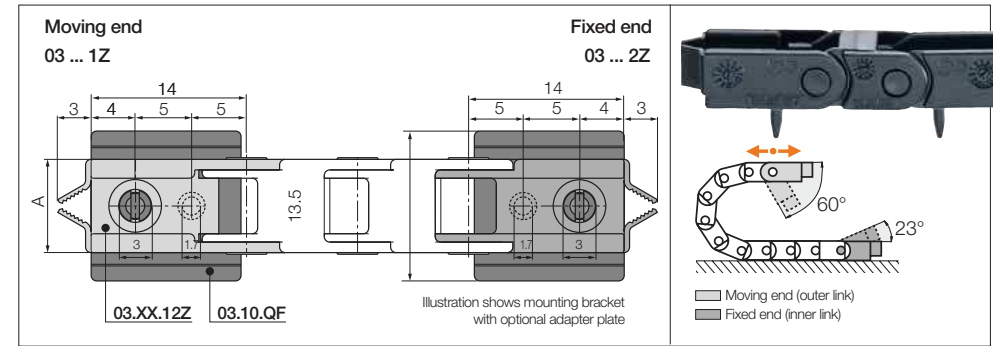


Inner height [mm]	5
Pitch [mm/link]	10
Links/m	100
corresponds to [mm]	1,000
e-chain® length	$L_K = S/2 + K$



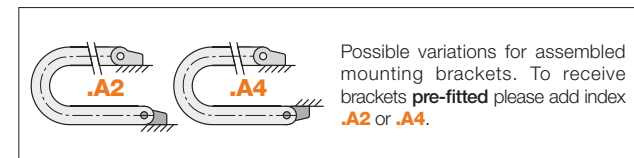
R	010	012	015	018	028
H	28	32	38	44	64
D	29	31	34	37	47
K	55	60	70	80	110

The required clearance height:  $H_f = H + 10\text{mm}$  (with 0.1 kg/m fill weight)



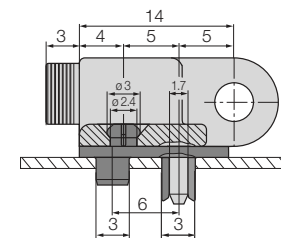
Width index	Part No. full set	A [mm]
05.	03.05.12Z	8.7
07.	03.07.12Z	10.7
10.	03.10.12Z	13.7

Material mounting bracket - igumid G, temperature: -40° up to +120°C, VDE 0304 IIC UL94-HB



Possible variations for assembled mounting brackets. To receive brackets pre-fitted please add index .A2 or .A4.

**03.05.12Z.A2** Order example  
 .A... to indicate option with brackets pre-fitted  
 Full set  
 Series



Adapter plate for rapid installation for all sizes, Part No. 03.10.QF

The adapter has scored lines so that it can be adapted to the respective e-chain® width. The adapter plate is not always necessary when attaching the mounting brackets as they can also be screwed on without the adapter plate.



Optional adapter plate

### Rotating energy supply systems with Reverse Bend Radius (RBR) - some radii available from stock

- Maximum rotation angle in minimal installation space
- Minimal friction forces and maximum service life
- Short delivery times from stock

More information and the complete product range ► From page 130





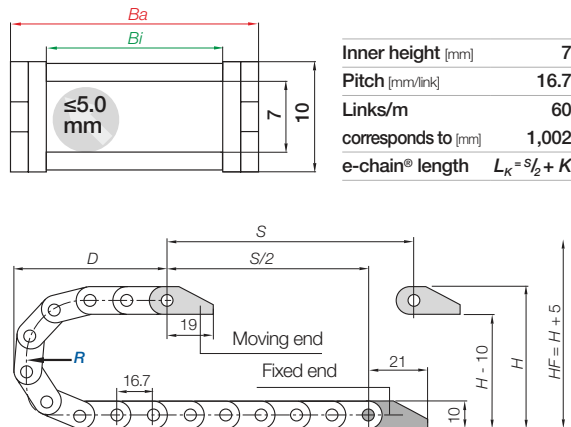
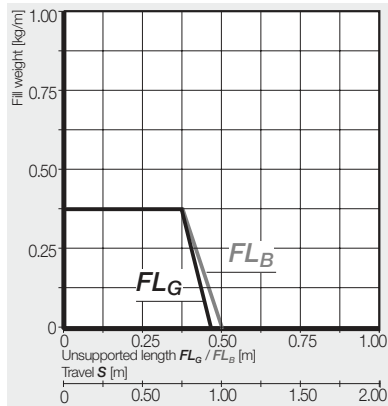


## e-chains® | Series 04 | One-piece, non-openable

Part No.	<i>Bi</i> [mm]	<i>Ba</i> [mm]	<i>R</i> Available bend radii [mm]	Weight [kg/m]
04.07.R.0	7	12	015   018   028   038   048	≈ 0.07
04.10.R.0	10	15	015   018   028   038   048	≈ 0.08
04.16.R.0	16	21	015   018   028   038   048	≈ 0.09
04.20.R.0	20	25	015   018   028   038   048	≈ 0.10
04.30.R.0	30	35	015   018   028   038   048	≈ 0.11

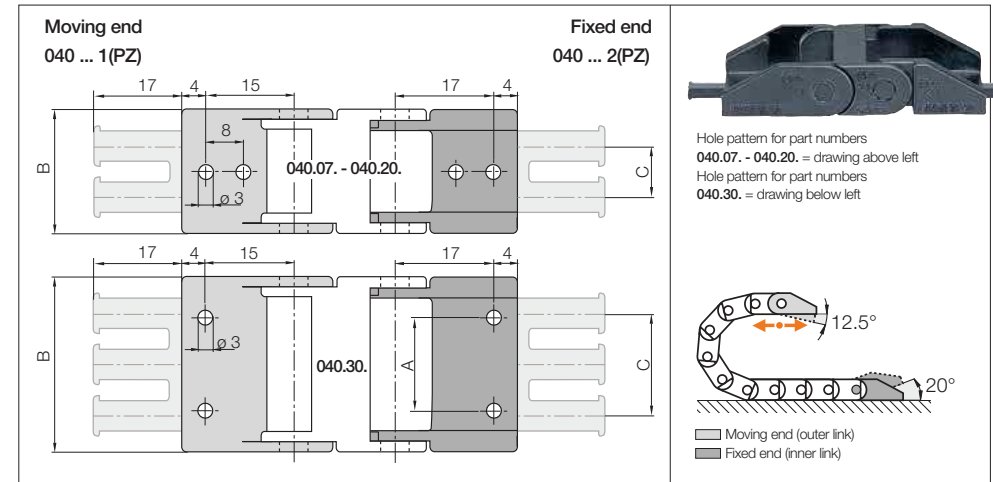
Complete Part No. with required radius (*R*). Example: 04.10.028.0

## Installation dimensions



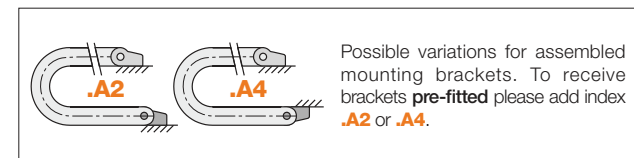
<i>R</i>	015	018	028	038	048
<i>H</i>	40	46	66	86	106
<i>D</i>	45	48	58	68	78
<i>K</i>	85	90	125	155	185

The required clearance height:  $H_f = H + 5$  mm (with 0.1kg/m fill weight)



Width index	Part No. full set with tie-wrap plates	Part No. full set without tie-wrap plates	A [mm]	B [mm]	C [mm]	Number of teeth
07. ►	040.07.12PZ	040.07.12	-	12	-	1
10. ►	040.10.12PZ	040.10.12	-	15	-	1
16. ►	040.16.12PZ	040.16.12	-	21	10	2
20. ►	040.20.12PZ	040.20.12	-	25	10	2
30. ►	040.30.12PZ	040.30.12	22	35	20	3

Material mounting bracket - igumid G, temperature: -40° up to +120°C, VDE 0304 IIC UL94-HB



040.07.12PZ.A2 Order example  
.A... to indicate option with brackets pre-fitted  
With integrated strain relief tie-wrap plates  
Full set  
Series

Low weight, high dynamics, cost-effective

10



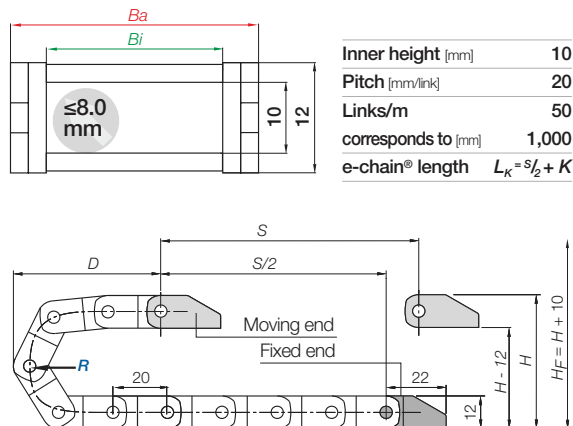
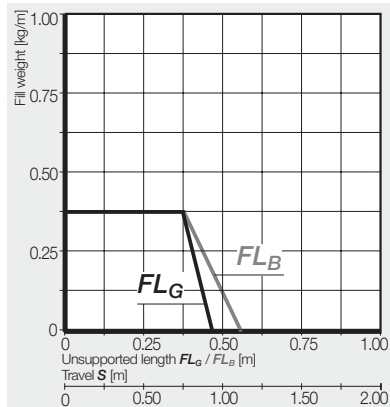
## e-chains® | Series 05 | One-piece, non-openable

Part No.	<i>Bi</i>	<i>Ba</i>	<i>R</i> Available bend radii	Weight
e-chains®	[mm]	[mm]	[mm]	[kg/m]
05.06. <i>R</i> .0	6	10	018   028   038	≈ 0.06
05.10. <i>R</i> .0	10	14	018   028   038	≈ 0.07
05.16. <i>R</i> .0®	16	20	018   028   038	≈ 0.07
05.20. <i>R</i> .0	20	24	018   028   038	≈ 0.08
05.30. <i>R</i> .0	30	34	018   028   038	≈ 0.09
05.64. <i>R</i> .0	64	68	018   028   038	≈ 0.19

© RBR version (Reverse Bend Radius), some radii available from stock. More information ► From page 130

Complete Part No. with required radius (*R*). Example: 05.10.028.0

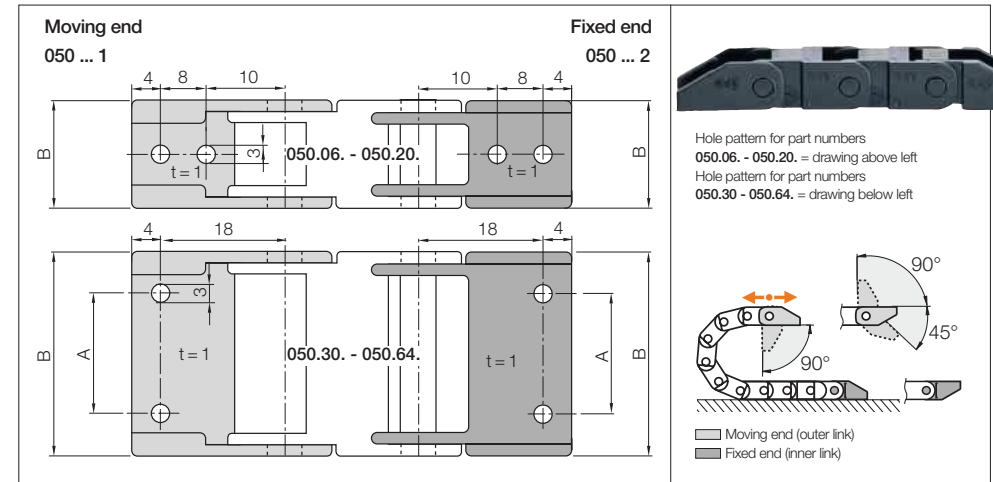
## Installation dimensions



<i>R</i>	018	028	038
<i>H</i>	48	68	88
<i>D</i>	54	64	74
<i>K</i>	100	130	160

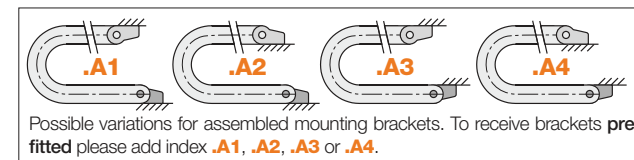
The required clearance height:  $H_f = H + 10$ mm (with 0.2kg/m fill weight)

Mounting brackets, polymer one-piece | One end pivoting



Width index	Part No. full set without tie-wrap plates	A [mm]	B [mm]	Number of teeth
06. ►	050.06.12	–	10.7	–
10. ►	050.10.12	–	14.7	–
16. ►	050.16.12	–	20.7	–
20. ►	050.20.12	–	24.7	–
30. ►	050.30.12	22	34.7	–
64. ►	050.64.12	56	68.7	–

Material mounting bracket - igumid G, temperature: -40° up to +120°C, VDE 0304 IIC UL94-HB



050.10.12.A2 Order example  
 .A... to indicate option with brackets pre-fitted  
 Full set  
 Series

## Rotating energy supply systems with Reverse Bend Radius (RBR) - some radii available from stock

- Maximum rotation angle in minimal installation space
- Minimal friction forces and maximum service life
- Short delivery times from stock

More information and the complete product range ► From page 130





e-chains® | Series 045 | One-piece, non-openable

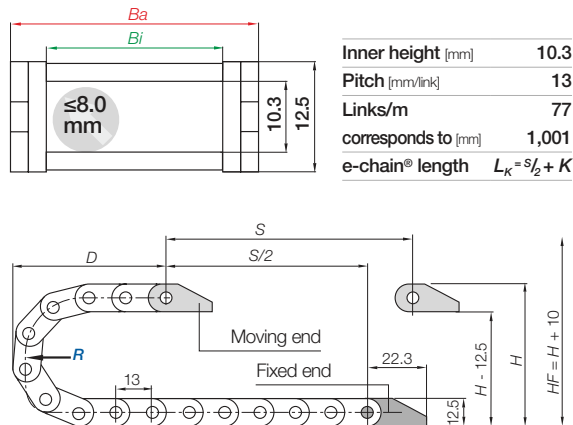
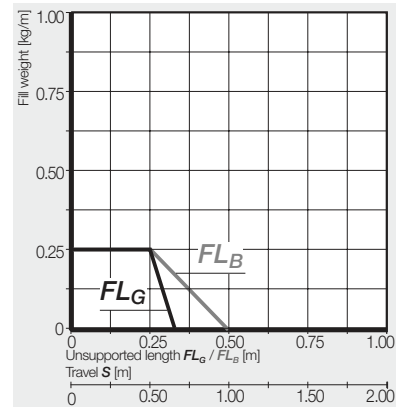
Part No.	Bi	Ba	R	Available bend radii	Weight
e-chains®	[mm]	[mm]	[mm]	[mm]	[kg/m]
045.06 .R.0	6	12	018   028   038	–	≈ 0.09
045.10 .R.0	10	16	018   028   038	–	≈ 0.10
045.16 .R.0	16	22	018   028   038	–	≈ 0.11
045.20 .R.0®	20	26	018   028   038   083	–	≈ 0.13
045.30 .R.0®	30	36	018   028   038	–	≈ 0.16
045.64 .R.0®	64	70	018   028   038	–	≈ 0.19

\*Radius 083 only for Part No. 045.20.

© RBR version (Reverse Bend Radius), some radii available from stock. More information ▶ From page 130

Complete Part No. with required radius (R). Example: 045.10.028.0

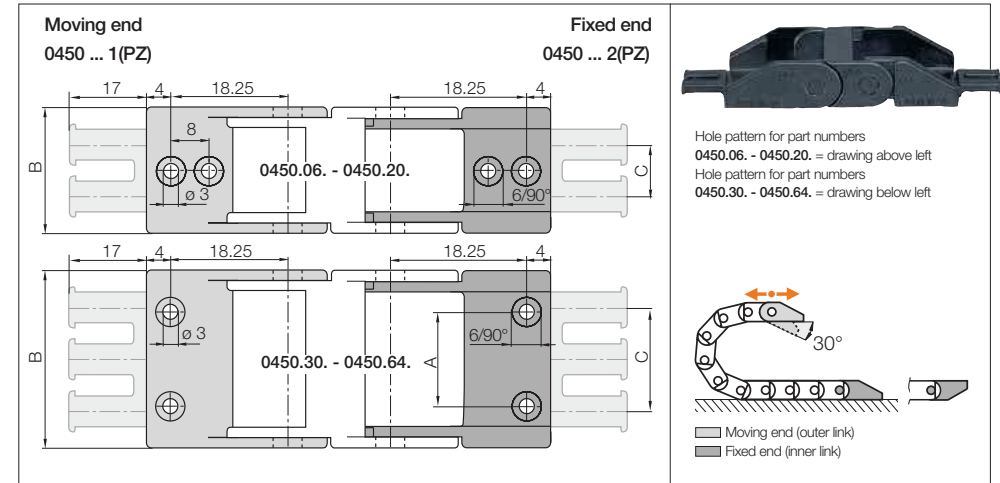
Installation dimensions



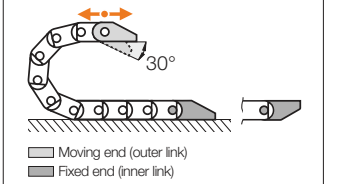
R	018	028	038	083*
H	48.5	68.5	88.5	178.5
D	44	54	64	109
K	85	115	150	290

The required clearance height:  $H_f = H + 10$ mm (with 0.2kg/m fill weight)

\*Radius 083 only for Part No. 045.20.



Hole pattern for part numbers 0450.06. - 0450.20. = drawing above left  
Hole pattern for part numbers 0450.30. - 0450.64. = drawing below left

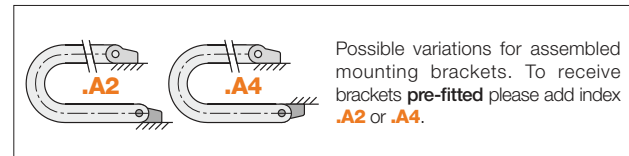


Width index	Part No. full set with tiewrap plates	Part No. full set without tiewrap plates	A [mm]	B [mm]	C [mm]	Number of teeth
06. ▶	0450.06.12PZ	0450.06.12	–	12	–	1
10. ▶	0450.10.12PZ	0450.10.12	–	16	–	1
16. ▶	0450.16.12PZ	0450.16.12	–	22	10	2
20. ▶	0450.20.12PZ	0450.20.12	–	26	10	2
30. ▶	0450.30.12PZ	0450.30.12	22	36	20	3
64. ▶	0450.64.12PZ	0450.64.12	56	70	50	6

Material mounting bracket - igumid G, temperature: -40° up to +120°C, VDE 0304 IIC UL94-HB

Mounting bracket with strain relief tiewrap plate has reductions of ø 3mm / ø 6mm 90°

Mounting bracket without strain relief tiewrap plate only has holes of ø 3mm



Possible variations for assembled mounting brackets. To receive brackets pre-fitted please add index .A2 or .A4.

0450.10.12PZ.A2 Order example  
.A... to indicate option with brackets pre-fitted  
With integrated strain relief tiewrap plates  
Full set  
Series

Rotating energy supply systems with Reverse Bend Radius (RBR) - some radii available from stock

- Maximum rotation angle in minimal installation space
- Minimal friction forces and maximum service life
- Short delivery times from stock

More information and the complete product range ▶ From page 130



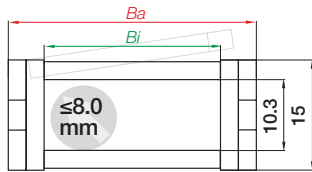
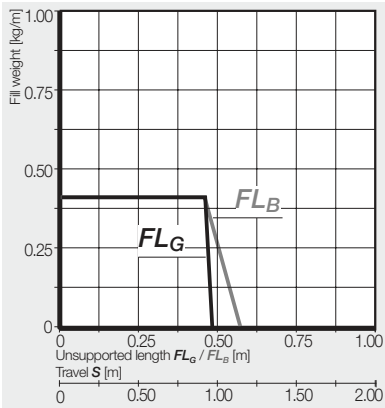


e-chains® | Series B07 | Openable along the outer radius, from one side

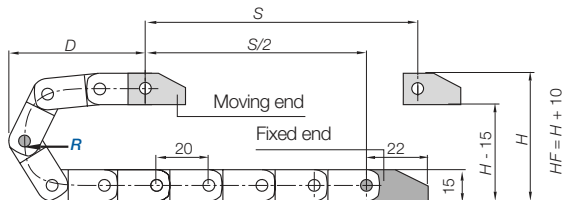
Part No.	Bi [mm]	Ba [mm]	R Available bend radii [mm]	Weight [kg/m]
B07.16.R.0	16	22.5	018   028   038	≈ 0.16
B07.20.R.0	20	27	018   028   038	≈ 0.17
B07.30.R.0	30	37	018   028   038	≈ 0.20
B07.40.R.0	40	47	018   028   038	≈ 0.23

Complete Part No. with required radius (R). Example: B07.40.038.0

Installation dimensions

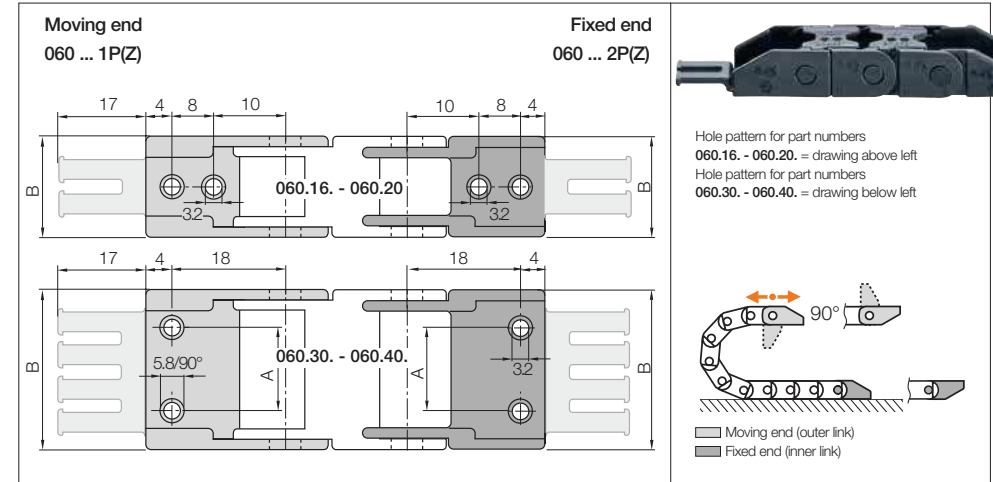


Inner height [mm]	10.3
Pitch [mm/link]	20
Links/m	50
corresponds to [mm]	1,000
e-chain® length	$L_K = S/2 + K$



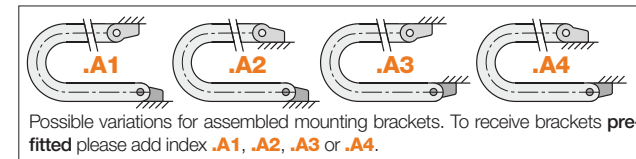
R	018	028	038
H	51	71	91
D	56	66	76
K	100	130	160

The required clearance height:  $H_f = H + 10$ mm (with 0.2kg/m fill weight)



Width index	Part No. full set with tie-strap plates	Part No. full set without tie-strap plates	A	B	Number of teeth
			[mm]	[mm]	
16. ▶	060.16.12PZ	060.16.12	-	22.5	2
20. ▶	060.20.12PZ	060.20.12	-	27.0	2
30. ▶	060.30.12PZ	060.30.12	22	37.0	3
40. ▶	060.40.12PZ	060.40.12	32	47.0	4

Material mounting bracket - igumid G, temperature: -40° up to +120°C, VDE 0304 IIC UL94-HB



**060.40.12PZ.A1** Order example  
 .A... to indicate option with brackets pre-fitted  
 With integrated strain relief tie-strap plates  
 Full set  
 Series



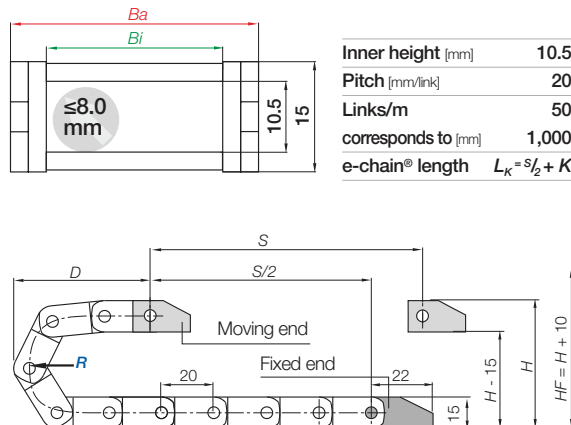
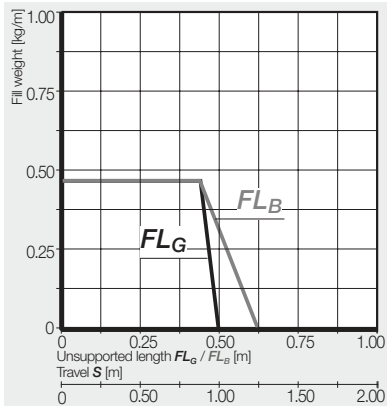


## e-chains® | Series 06 | One-piece, non-openable

Part No.	Bi	Ba	R	Available bend radii	Weight
e-chains®	[mm]	[mm]	[mm]	[mm]	[kg/m]
06.06.R.0	6	12.5	018	028   038	≈ 0.13
06.10.R.0	10	16.5	018	028   038	≈ 0.14
06.16.R.0	16	22.5	018	028   038	≈ 0.16
06.20.R.0	20	27	018	028   038	≈ 0.17
06.30.R.0	30	37	018	028   038	≈ 0.20
06.40.R.0	40	47	018	028   038	≈ 0.23
06.50.R.0	50	57	018	028   038	≈ 0.26
06.64.R.0	64	71	018	028   038	≈ 0.30

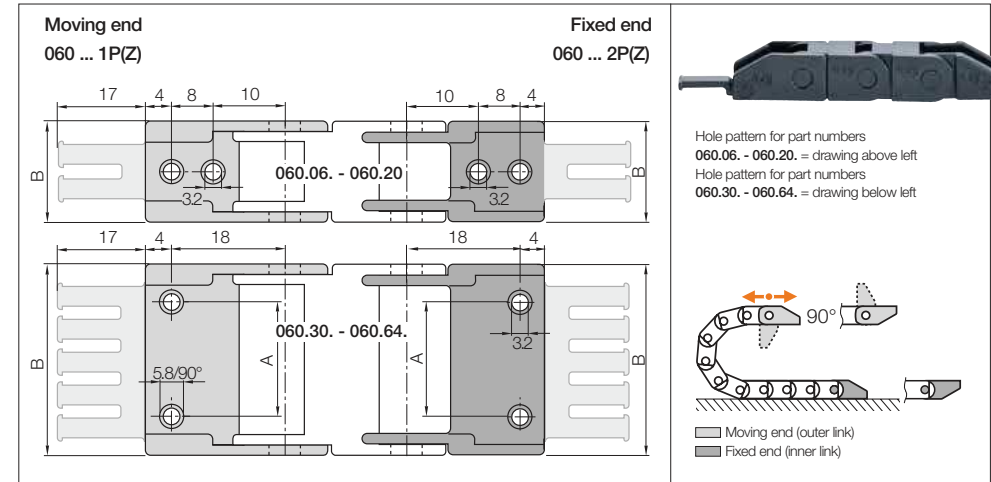
Complete Part No. with required radius (R). Example: 06.10.028.0

## Installation dimensions



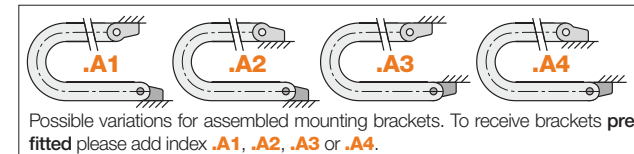
R	018	028	038
H	51	71	91
D	56	66	76
K	100	130	160

The required clearance height:  $H_f = H + 10\text{mm}$  (with 0.2kg/m fill weight)



Width index	Part No. full set with tie-wrap plates	Part No. full set without tie-wrap plates	A [mm]	B [mm]	Number of teeth
06. ▶	060.06.12PZ	060.06.12	-	12.5	1
10. ▶	060.10.12PZ	060.10.12	-	16.5	1
16. ▶	060.16.12PZ	060.16.12	-	22.5	2
20. ▶	060.20.12PZ	060.20.12	-	27.0	2
30. ▶	060.30.12PZ	060.30.12	22	37.0	3
40. ▶	060.40.12PZ	060.40.12	32	47.0	4
50. ▶	060.50.12PZ	060.50.12	42	57.0	5
64. ▶	060.64.12PZ	060.64.12	56	71.0	6

Material mounting bracket - igumid G, temperature: -40° up to +120°C, VDE 0304 IIC UL94-HB



060.10.12PZ.A1 Order example  
.A... to indicate option with brackets pre-fitted  
With integrated strain relief tie-wrap plates  
Full set  
Series

Openable along the inner radius, cost-effective

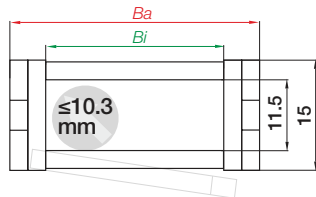
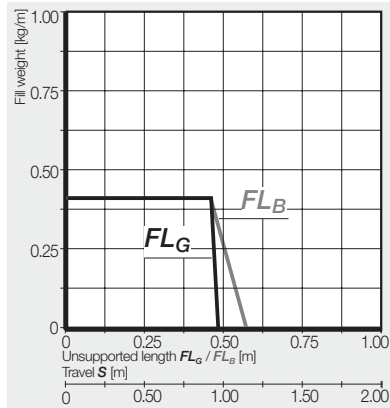


e-chains® | Series 074 | Openable along the inner radius from one side with film hinge

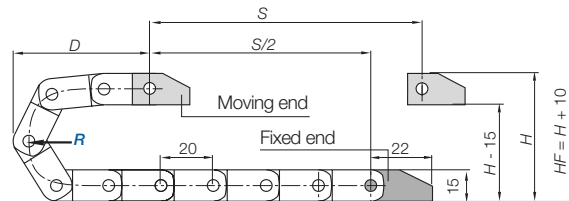
Part No.	Bi [mm]	Ba [mm]	R Available bend radii [mm]	Weight [kg/m]
074. 06 .R.0	06	12.3	018   028   038	≈ 0.14
074. 10 .R.0	10	16.3	018   028   038	≈ 0.15
074. 16 .R.0	16	22.3	018   028   038	≈ 0.16
074. 20 .R.0	20	26.3	018   028   038	≈ 0.17

Complete Part No. with required radius (R). Example: 074.10.018.0

Installation dimensions



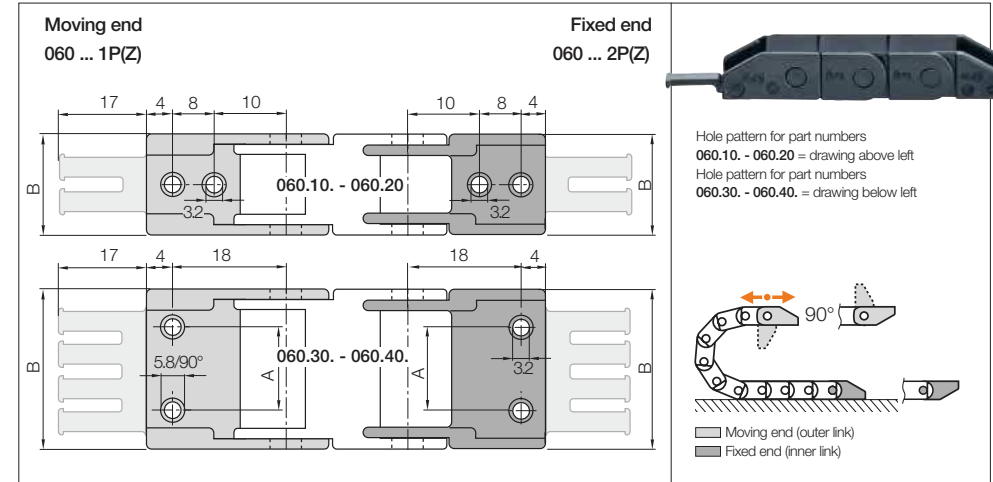
Inner height [mm]	11.5
Pitch [mm/link]	20
Links/m	50
corresponds to [mm]	1,000
e-chain® length $L_K = S/2 + K$	



R	018	028	038
H	51	71	91
D	56	66	76
K	100	130	160

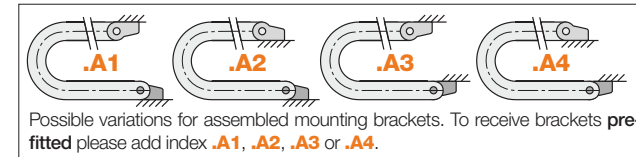
The required clearance height:  $H_f = H + 10\text{mm}$  (with 0.2kg/m fill weight)

Mounting brackets, polymer one-piece | Locking



Width index	Standard	Part No. full set		A [mm]	B [mm]	Number of teeth
		with tiewrap plates	without tiewrap plates			
06. ►		060.06.12PZ	060.06.12	-	12.5	1
10. ►		060.10.12PZ	060.10.12	-	16.5	1
16. ►		060.16.12PZ	060.16.12	-	22.5	2
20. ►		060.20.12PZ	060.20.12	-	27	2

Material mounting bracket - igumid G, temperature: -40° up to +120°C, VDE 0304 IIC UL94-HB



Possible variations for assembled mounting brackets. To receive brackets pre-fitted please add index .A1, .A2, .A3 or .A4.

060.10.12PZ.A1 Order example  
 .A... to indicate option with brackets pre-fitted  
 With integrated strain relief tiewrap plates  
 Full set  
 Series

Openable along the inner radius, cost-effective

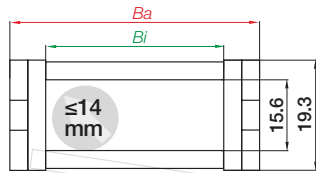
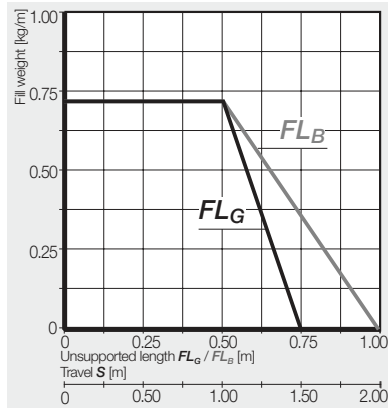


e-chains® | Series 094 | Openable along the inner radius from one side with film hinge

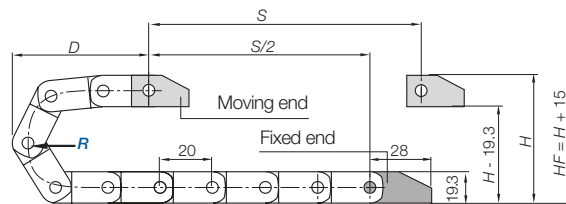
Part No.	Bi [mm]	Ba [mm]	R Available bend radii [mm]	Weight [kg/m]
094.10.R.0	10	18.2	028   038   048	≈ 0.23
094.16.R.0	16	24.2	028   038   048	≈ 0.24
094.20.R.0	20	28.2	028   038   048	≈ 0.25
094.30.R.0	30	38.2	028   038   048	≈ 0.28

Complete Part No. with required radius (R). Example: 094.10.028.0

Installation dimensions



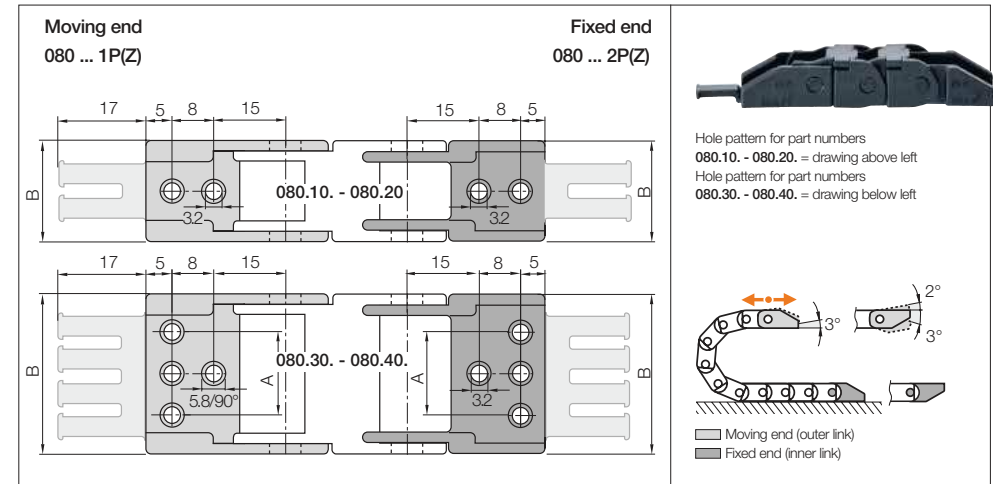
Inner height [mm]	15.6
Pitch [mm/link]	20
Links/m	50
corresponds to [mm]	1,000
e-chain® length $L_K = S/2 + K$	



R	028	038	048
H	75	95	115
D	68	78	88
K	130	160	195

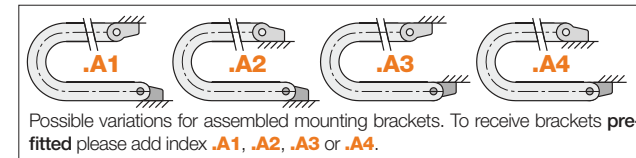
The required clearance height:  $H_f = H + 15$ mm (with 0.3kg/m fill weight)

Mounting brackets, polymer one-piece | Locking



Width index	Part No. full set with tie-wrap plates	Part No. full set without tie-wrap plates	A [mm]	B [mm]	Number of teeth
10. ►	080.10.12PZ	080.10.12	-	18.2	1
16. ►	080.16.12PZ	080.16.12	-	24.2	2
20. ►	080.20.12PZ	080.20.12	-	28.2	2
30. ►	080.30.12PZ	080.30.12	22	38.2	3

Material mounting bracket - igumid G, temperature: -40° up to +120°C, VDE 0304 IIC UL94-HB



080.10.12PZ.A1 Order example  
 .A... to indicate option with brackets pre-fitted  
 With integrated strain relief tie-wrap plates  
 Full set  
 Series

For new designs we recommend series E2.15 ▶ From page 344

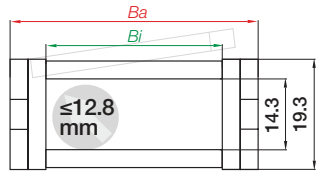
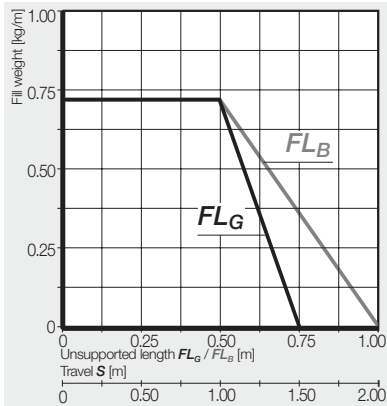


e-chains® | Series B09 | Openable along the outer radius, from one side

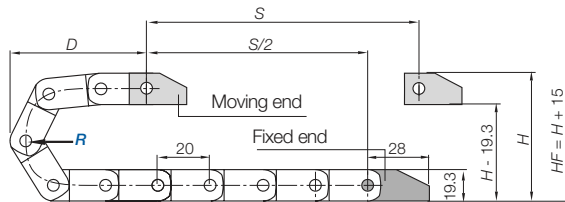
Part No.	Bi [mm]	Ba [mm]	R Available bend radii [mm]	Weight [kg/m]
B09.16 .R.0	16	24.2	028   038   048	≈ 0.24
B09.20 .R.0	20	28.2	028   038   048	≈ 0.25
B09.30 .R.0	30	38.2	028   038   048	≈ 0.28
B09.40 .R.0	40	48.2	028   038   048	≈ 0.31

Complete Part No. with required radius (R). Example: B09.40.038.0

Installation dimensions



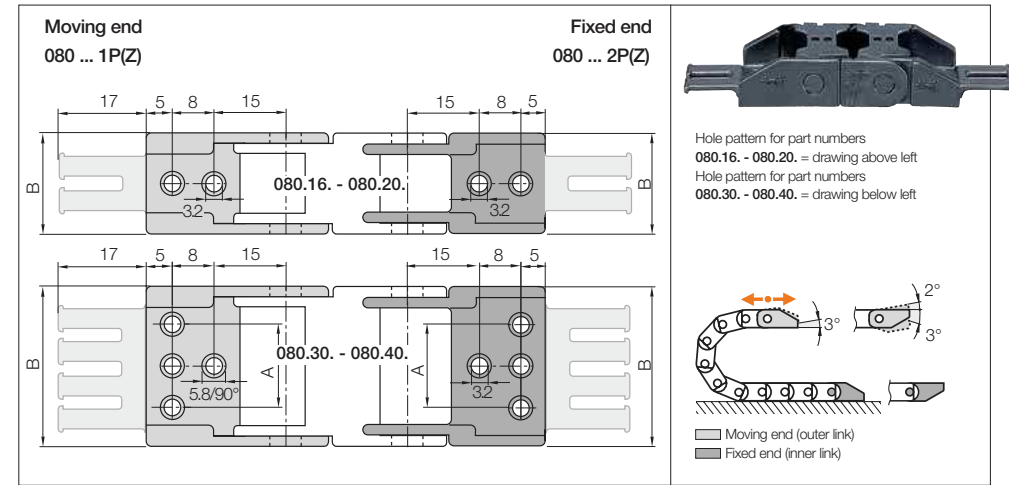
Inner height [mm]	14.3
Pitch [mm/link]	20
Links/m	50
corresponds to [mm]	1,000
e-chain® length $L_K = S/2 + K$	



R	028	038	048
H	75	95	115
D	68	78	88
K	130	160	195

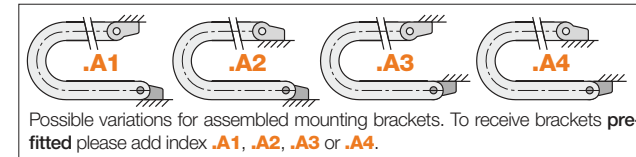
The required clearance height:  $H_f = H + 15$ mm (with 0.3kg/m fill weight)

Mounting brackets, polymer one-piece | Locking



Width index	Part No. full set with tiewrap plates	Part No. full set without tiewrap plates	A	B	Number of teeth
			[mm]	[mm]	
16. ▶	080.16.12PZ	080.16.12	-	24.2	2
20. ▶	080.20.12PZ	080.20.12	-	28.2	2
30. ▶	080.30.12PZ	080.30.12	22	38.2	3
40. ▶	080.40.12PZ	080.40.12	32	48.2	4

Material mounting bracket - igumid G, temperature: -40° up to +120°C, VDE 0304 IIC UL94-HB

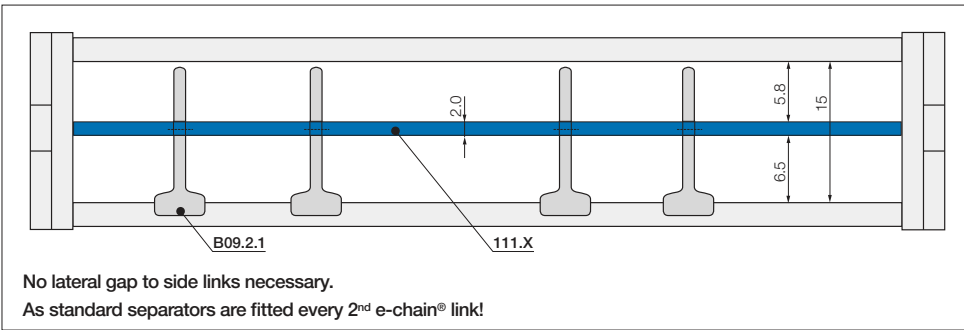


Possible variations for assembled mounting brackets. To receive brackets pre-fitted please add index .A1, .A2, .A3 or .A4.

**080.40.12PZ.A1** Order example  
 .A... to indicate option with brackets pre-fitted  
 With integrated strain relief tiewrap plates  
 Full set  
 Series



Interior separation



		<b>Slotted separator</b> unassembled <b>B09.2</b> assembled <b>B09.2.1</b>
		<b>Full-width shelf for e-chains®</b> unassembled <b>110.X</b> assembled <b>111.X</b>

**Slotted separator**  
Vertical separation. The slot allows basic vertical/horizontal shelving arrangements.

**Full-width shelf**  
This option is for applications with many small cables with similar diameters. For full-width separation.

Full-width shelves Width = X [mm]	X [mm]	unassembled	assembled	X [mm]	unassembled	assembled	X [mm]	unassembled	assembled
		010	110.10	111.10	020	110.20	111.20	050	110.50
	013	110.13	111.13	030	110.30	111.30			
	016	110.16	111.16	040	110.40	111.40			



E2 micro e-chain® space-saving, zig-zag design in a mobile OP table

For new designs we recommend series E2C.15 ▶ From page 344



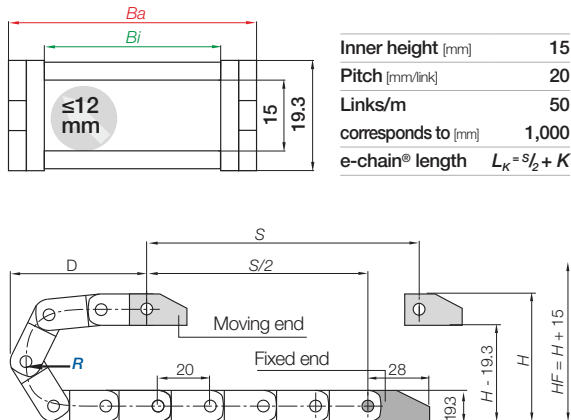
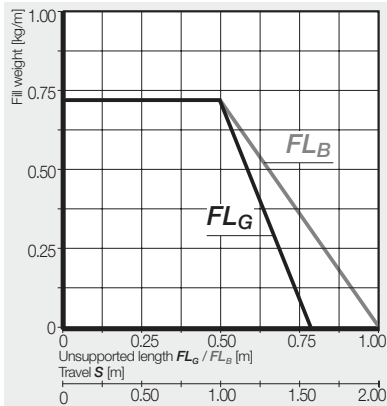
e-chains® | Series 08 | One-piece, non-openable

Part No.	Bi [mm]	Ba [mm]	R Available bend radii [mm]	Weight [kg/m]
08.10.R.0	10	18.2	025   028   038   048	≈ 0.21
08.13.R.0	13	21.2	-   028   038   -	≈ 0.23
08.16.R.0®	16	24.2	-   028   038   048	≈ 0.24
08.20.R.0	20	28.2	025   028   038   048	≈ 0.25
08.30.R.0	30	38.2	-   028   038   048	≈ 0.28
08.40.R.0	40	48.2	-   028   038   048	≈ 0.31
08.50.R.0	50	58.2	-   028   038   048	≈ 0.37

© RBR version (Reverse Bend Radius), some radii available from stock. More information ▶ From page 130

Complete Part No. with required radius (R). Example: 08.50.038.0

Installation dimensions



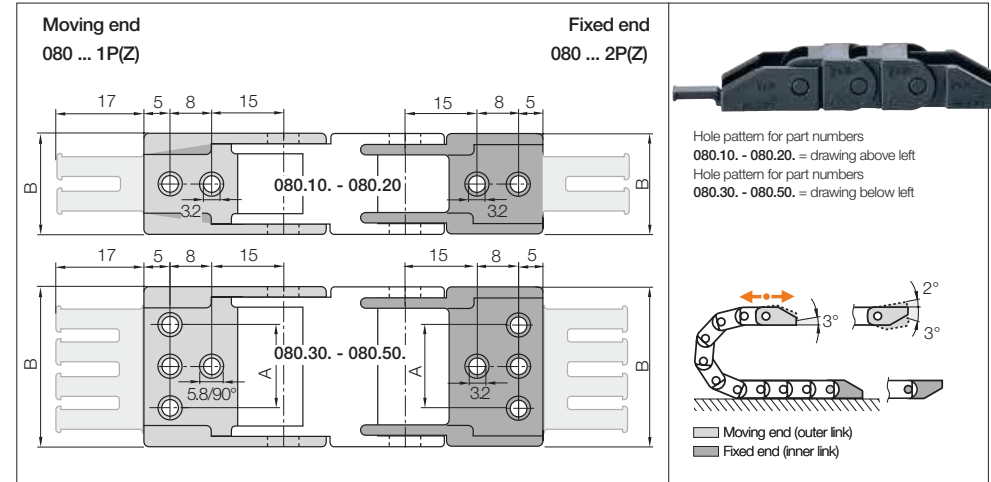
R	025*	028	038	048*
H	69	75	95	115
D	65	68	78	88
K	120	130	160	195

The required clearance height:  $H_f = H + 15$ mm (with 0.3kg/m fill weight)

\*Radius only available for some widths (please see product range table above)

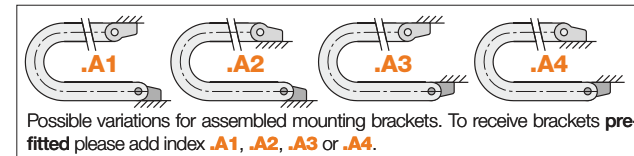


Mounting brackets, polymer one-piece | Locking



Width index	Part No. full set with tie-wrap plates	Part No. full set without tie-wrap plates	A [mm]	B [mm]	Number of teeth
10. ▶	080.10.12PZ	080.10.12	-	18.2	1
13. ▶	-	080.13.12	-	21.2	-
16. ▶	080.16.12PZ	080.16.12	-	24.2	2
20. ▶	080.20.12PZ	080.20.12	-	28.2	2
30. ▶	080.30.12PZ	080.30.12	22	38.2	3
40. ▶	080.40.12PZ	080.40.12	32	48.2	4
50. ▶	080.50.12PZ	080.50.12	42	58.2	5

Material mounting bracket - igumid G, temperature: -40° up to +120°C, VDE 0304 IIC UL94-HB



Possible variations for assembled mounting brackets. To receive brackets pre-fitted please add index .A1, .A2, .A3 or .A4.

080.50.12PZ.A1 Order example  
 .A... to indicate option with brackets pre-fitted with integrated strain relief tie-wrap plates  
 Full set  
 Series

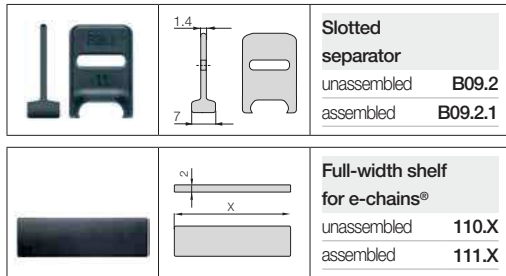
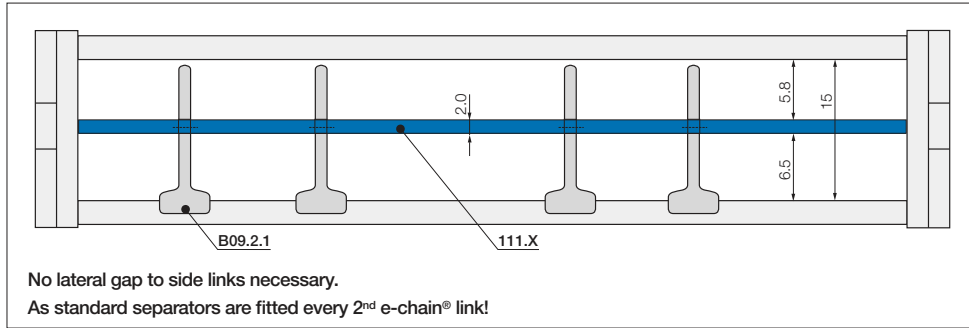
Rotating energy supply systems with Reverse Bend Radius (RBR) - some radii available from stock

- Maximum rotation angle in minimal installation space
- Minimal friction forces and maximum service life
- Short delivery times from stock

More information and the complete product range ▶ From page 130



## Interior separation

**Slotted separator**

Vertical separation. The slot allows basic vertical/horizontal shelving arrangements.

**Full-width shelf**

This option is for applications with many small cables with similar diameters. For full-width separation.

**Full-width shelves**

Width = X [mm]

X [mm]	unassembled	assembled	X [mm]	unassembled	assembled	X [mm]	unassembled	assembled
010	<b>110.10</b>	<b>111.10</b>	020	<b>110.20</b>	<b>111.20</b>	050	<b>110.50</b>	<b>111.50</b>
013	<b>110.13</b>	<b>111.13</b>	030	<b>110.30</b>	<b>111.30</b>			
016	<b>110.16</b>	<b>111.16</b>	040	<b>110.40</b>	<b>111.40</b>			



Series 03 - extremely small installation space on a paint-spraying machine