

## Flow Monitor

# RVM/U-L2



## OVERVIEW

### Operation

- Float measuring principle

### Application

- Cooling systems and cooling circuits
- Mechanical engineering
- Medical engineering
- Pharmaceutical industry
- Chemical industry
- Research & Development

### Features

- Universal orientation
- High reliability
- High switch accuracy
- Infinitely variable switch point adjustment by operator
- EX-version according to ATEX directive available
- High pressure resistance
- Threaded connection, special thread on request

### Installation information

- The operating instructions for RVM/U-L2 Module BASICS / ...ATEX must be observed!

## OPERATING DATA

<b>Operating pressure, max.</b>	300 bar (Brass version)
	350 bar (Stainless steel version)
<b>Pressure drop</b>	0,02 – 0,3 bar
<b>Temperature, max.</b>	120 °C (optional 160 °C)
<b>Measuring accuracy</b>	±10 % of full scale

Changed operating data apply to the device in explosion-proof design according to ATEX directive. Refer to the Operating Instructions for RVM/U-L2 Module ATEX.

Download: [www.meister-flow.com](http://www.meister-flow.com)

## MEASURING RANGES

Type	Switch range for air at 1 bar abs. & 20 °C <sup>(1)</sup>		
	NI/min	SCFH	SCFM
RVM/U-L20010	2,5 – 10	5,5 – 21	
RVM/U-L20020	5,5 – 20	12 – 42	
RVM/U-L20030	8 – 30	17 – 64	
RVM/U-L20035	10 – 35	21 – 74	
RVM/U-L20090	45 – 90	95 – 190	
RVM/U-L20220	55 – 220	115 – 465	
RVM/U-L20240	65 – 240	140 – 510	
RVM/U-L20300	80 – 300	170 – 640	
RVM/U-L20525	140 – 525		5 – 18,5

<sup>(1)</sup> The specified measuring- / switch ranges are valid for air having a density of 1.205 kg/m<sup>3</sup>, vertical installation of the device and flow direction from bottom to top.

Other installation positions or deviation from the operating densities will increase the measurement error specified in the data sheet.

Operating density for air at 20 °C and 1.013 bar (absolute value): 1.205 kg/m<sup>3</sup>

Standard density for air (at 0 °C and 1.013 bar (absolute value): 1.293 kg/m<sup>3</sup>

Upon request, special scales for deviating media, different operating conditions and installation positions (only for devices which can be installed in any position) are available.

The specified switch values are switch-off points, i.e. switch values by decreasing flow.

Other measuring- /switch ranges are available upon request.

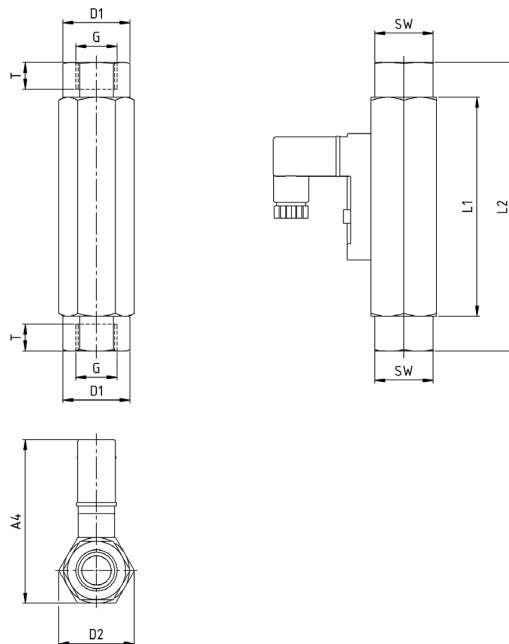
## MATERIALS

Brass version, wetted parts	
Spring:	1.4571
Magnets:	Hard ferrite
Device body:	Brass, nickel-plated
all other wetted parts:	Brass

Stainless steel version, wetted parts	
Spring:	1.4571
Magnets:	Hard ferrite
Device body:	1.4571
all other wetted parts:	1.4571

# TECHNICAL DRAWING

For devices with switch contact 15x50



## SUMMARY OF TYPES

For devices with switch contact 15x50

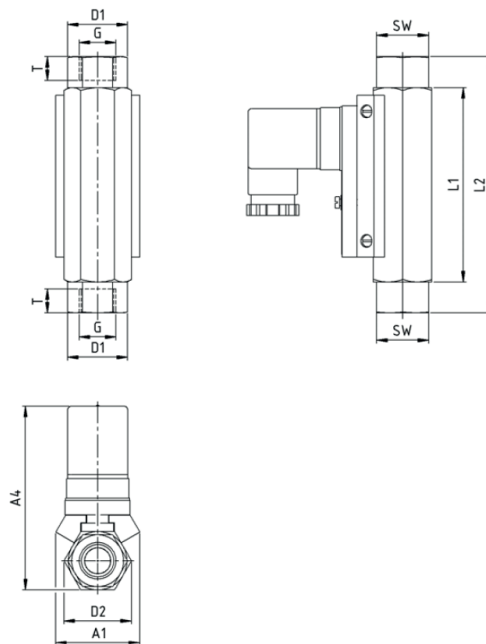
Type	Overall dimensions [mm]											Weight approx. [g] <sup>(3)</sup>	
	G <sup>(2)</sup>	DN	SW	L1	L2	T	D1	D2	A1	A2	A3		A4
RVM/U-L20010													
RVM/U-L20020													
RVM/U-L20030													
RVM/U-L20035													
RVM/U-L20090 1/2"		15	27	90	-	14	-	31,2	-	-	-	-67	350
RVM/U-L20220													
RVM/U-L20240													
RVM/U-L20300													
RVM/U-L20525													

<sup>(2)</sup> NPT thread on request

<sup>(3)</sup> Connection cable weight, 2 m approx. 80 g

# TECHNICAL DRAWING

For devices with switch contact 30x70



## SUMMARY OF TYPES

For devices with switch contact 30x70

Type	Overall dimensions [mm]											Weight approx. ca. [g] <sup>(5)</sup>	
	G <sup>(4)</sup>	DN	SW	L1	L2	T	D1	D2	A1	A2	A3		A4
RVM/U-L20010													
RVM/U-L20020													
RVM/U-L20030													
RVM/U-L20035													
RVM/U-L20090 1/2"		15	27	90	–	14	–	31,2	38,9	–	–	~85	350
RVM/U-L20220													
RVM/U-L20240													
RVM/U-L20300													
RVM/U-L20525													

<sup>(4)</sup> NPT thread on request

<sup>(5)</sup> Connection cable weight, 2 m approx. 80 g

## ELECTRICAL DATA

### For devices with switch contact 15x50

<b>Change over (COC)</b>	250V · 1,5A · 50VA <sup>(6)</sup>
<b>Normally open (NOC)</b>	230V · 3A · 60VA
<b>Change over M12x1 (-20 °C – 85 °C)</b>	125V · 1,5A · 50VA <sup>(6)</sup>
<b>Normally open M12x1 (-20 °C – 85 °C)</b>	125V · 3A · 60VA
<b>Change over PLC</b>	250V · 1A · 60VA

### EX-version in compliance with ATEX directive

#### EC-Type examination

EPS 13 ATEX 1 596 U

### Connection to certified intrinsically safe circuits

Li = 0

Ci = 0

Gas			Dust		
Ui	Ii	Pi	Ui	Ii	Pi
< 12,1 V	1,0 A	3,0 W	< 12,1 V	0,25 A	0,75 W
< 20 V	0,309 A	1,55 W	< 20 V	0,25 A	0,75 W
< 25 V	0,158 A	0,99 W	< 25 V	0,25 A	0,75 W
< 30 V	0,101 A	0,76 W	< 30 V	0,25 A	0,75 W

#### Operating temperature

-5 °C < T<sub>Service</sub> < 45 °C

<sup>(6)</sup> Minimum load 3VA

#### Marking

⊕ II 2G Ex ib IIC  
⊕ II 2D Ex ib IIIC

## ELECTRICAL CONNECTION

### For devices with switch contact 15x50

- Connector in compliance with EN 175301-803, Form C (DIN 43650, Form C)
- Connector M12x1
- Cable (1 m) <sup>(7)</sup>

### EX-version in compliance with ATEX directive

- Connector in compliance with EN 175301-803, Form C (DIN 43650, Form C)
- Connector M12x1
- Cable (1 m) <sup>(7)</sup>

### Ingress Protection

IP65: Connector in compliance with EN 175301-803, Form C or Connector M12x1

IP67: Cable

### Output signal

The contact opens / changes when the flow decreases below the set point.

### Power supply

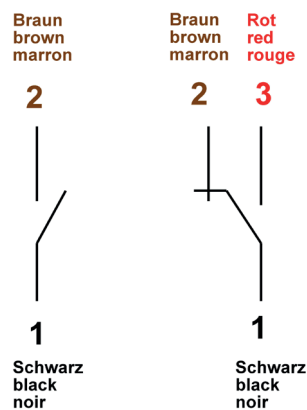
Not required (potential-free reed contacts)

### Connector types

Other connector types or cable lengths on request

<sup>(7)</sup> Available as Normally Open Contact (NOC) only

## CONNECTION DIAGRAM



## ELECTRICAL DATA

For devices with switch contact 30x70

<b>Change over (COC)</b>	250V · 1,5A · 50VA <sup>(8)</sup>
<b>Normally open (NOC)</b>	250V · 3A · 100VA
<b>Change over M12x1 (-20 °C – 85 °C)</b>	250V · 1,5A · 50VA <sup>(8)</sup>
<b>Normally open M12x1 (-20 °C – 85 °C)</b>	250V · 3A · 100VA
<b>Change over PLC</b>	250V · 1A · 60VA

EX-version in compliance with ATEX directive

ATEX II 2 G Ex mb II T6 & ATEX II 2 D Ex tD A21 IP67 T80 °C

ATEX II 2 G Ex mb II T5 & ATEX II 2 D Ex tD A21 IP67 T100 °C

<b>Change over</b>	250V · 1A · 30VA <sup>(8)</sup>
<b>Normally open</b>	250V · 2A · 60VA

<sup>(8)</sup> Minimum load 3VA

## ELECTRICAL CONNECTION

For devices with switch contact 30x70

- Connector in compliance with EN 175301-803, Form A (DIN 43650, Form A)
- Connector M12x1
- Cable (1 m)

EX-version in compliance with ATEX directive

- Cable (2 m)

### Ingress Protection

IP65: Connector in compliance with EN 175301-803, Form A  
IP67: Cable or connector M12x1

### Output signal

The contact opens / changes when the flow decreases below the set point.

### Power supply

Not required (potential-free reed contacts)

### Connector types

Other connector types or cable lengths on request

## CONNECTION DIAGRAM

