



High impact tank cleaning machine

»IntenseClean Hygienic«

Series 5TA

Series 5TA

The IntenseClean Hygienic 5TA is a permanent feature, especially in the pharmaceutical, food and beverage industries. It is extremely effective thanks to the particularly powerful solid jet nozzles and is also suitable for small tanks with persistent soiling. The series can resist pressures of up to 15 bar and high temperatures without any problem. All parts used exhibit a particularly high surface quality.



	Max. Tank diameter [m]	0	3	6	9	12	15	18	21	24	27
--	-------------------------------	---	---	---	---	----	----	----	----	----	----



Materials
316L SS, 632 SS,
PEEK, PTFE,
Zirconium oxide,
EPDM



Max. temperature
95 °C



Recommended operating pressure
5 bar



Installation
Operation in every direction is possible



Filtration
Line strainer with a mesh size of 0.2 mm/80 mesh



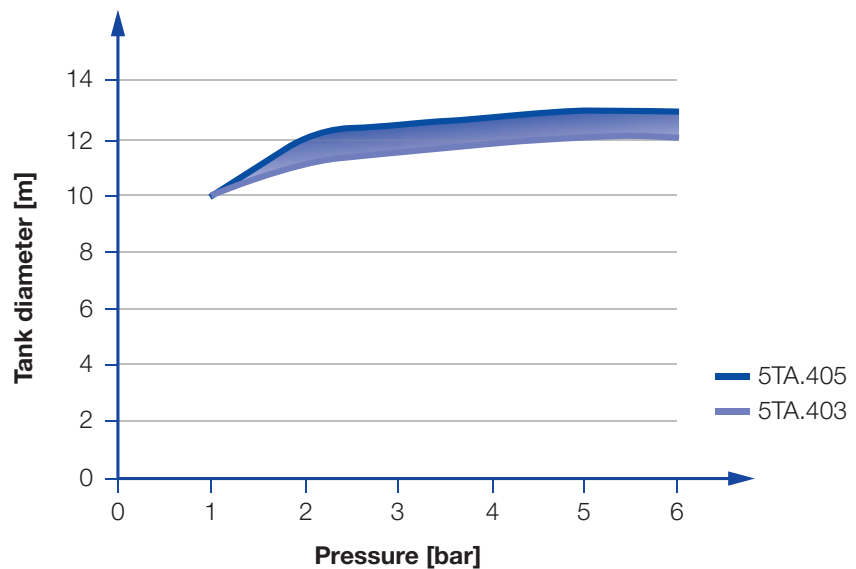
Bearing
Ball bearing



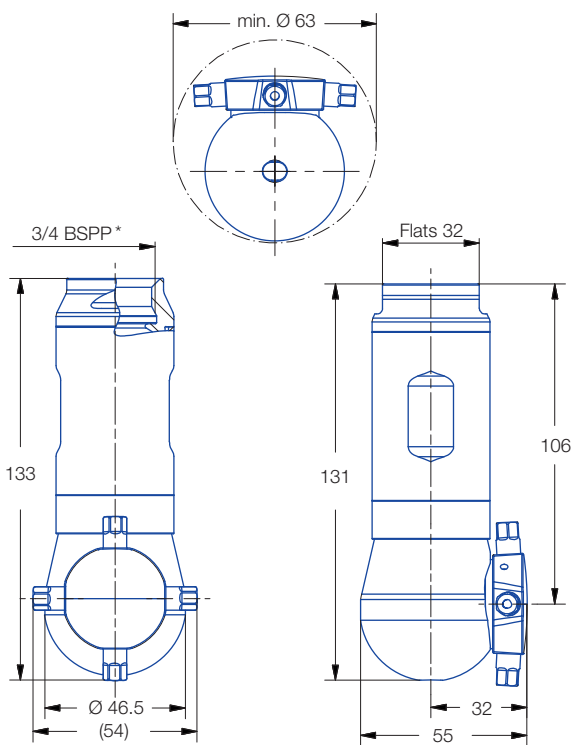
Weight
0.9 kg



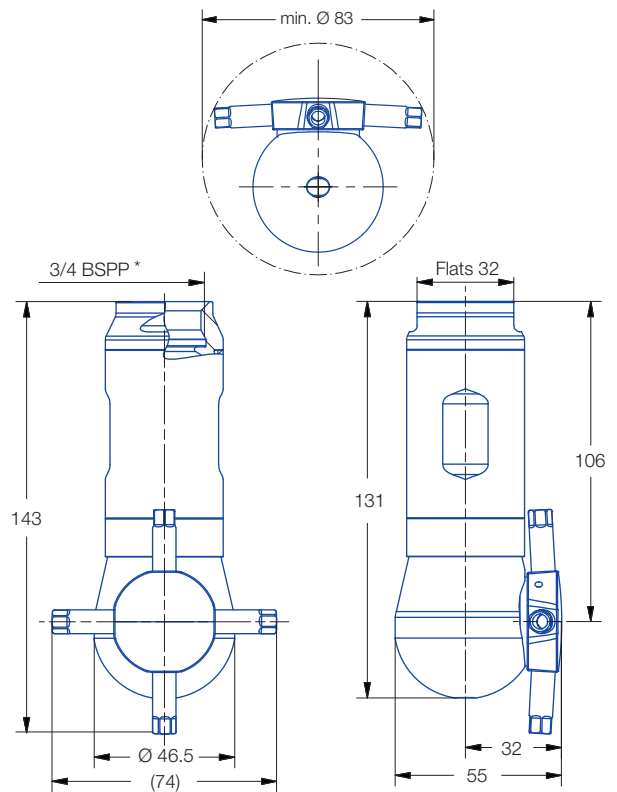
Rotation monitoring sensor
Sensor compatible,
Info: see page 76





Overview of the tank diameter, depending upon the pressure of series 5TA



Female thread
5TA.403.1Y.AL and 5TA.404.1Y.AL

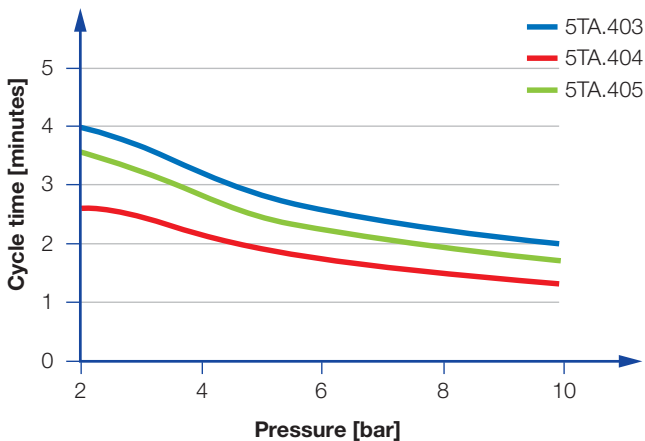


Female thread
5TA.405.1Y.AL

Spray angle 	Ordering no. Type	E Ø [mm]	Number. Ø Nozzles [mm]	V̇ [l/min]				Max. tank diameter [m]
				p [bar] (p _{max} = 15 bar)				
				2	5	10	at 40 psi [US gal/min]	
360° 	5TA.403.1Y.AL	1.5	4 x 3.0	24	39	55	7.7	12.0
	5TA.404.1Y.AL	1.5	4 x 4.0	35	56	79	11	12.5
	5TA.405.1Y.AL	1.5	4 x 5.0	50	79	111	15.5	13.0

E = narrowest free cross-section
* Slip-on connection on request

The maximum tank diameter shown above applies for the recommended operating pressure and is indicative only. The cleaning result is also affected by the type of soiling.



Cycle time depending on pressure of series 5TA

**Example of ordering with ATEX approval.
FDA and (EC) 1935/2004 conform.**

Unit group/category/zones:

 II 1G Ex h IIB T6...T4 Ga

 II 1D Ex h IIIC T85 °C...T135 °C Da



Example
of Ordering:

Type/Ordering no.
5TA.403.1Y.AL.EX

**Example of ordering with FDA
and (EC) 1935/2004 conformity.**

All Materials are suitable for
contact with food.



Example
of Ordering:

Type/Ordering no.
5TA.403.1Y.AL