



# Rotating cleaning nozzle »MiniWhirly« Series 500.186

## Series 500.186

The MiniWhirly made from POM is the economical entry-level model in the area of tank cleaning. The rotating nozzle has effective flat fan nozzles and was specifically designed for applications in barrel and canister cleaning.



**Max. tank diameter [m]**

0 | 1 | 2 | 3 | 4 | 5 | 6 | 7 | 8 | 9



**Materials**

POM,  
316 SS



**Max. temperature**

50 °C



**Recommended operating pressure**

2 bar



**Installation**

Vertically facing downward



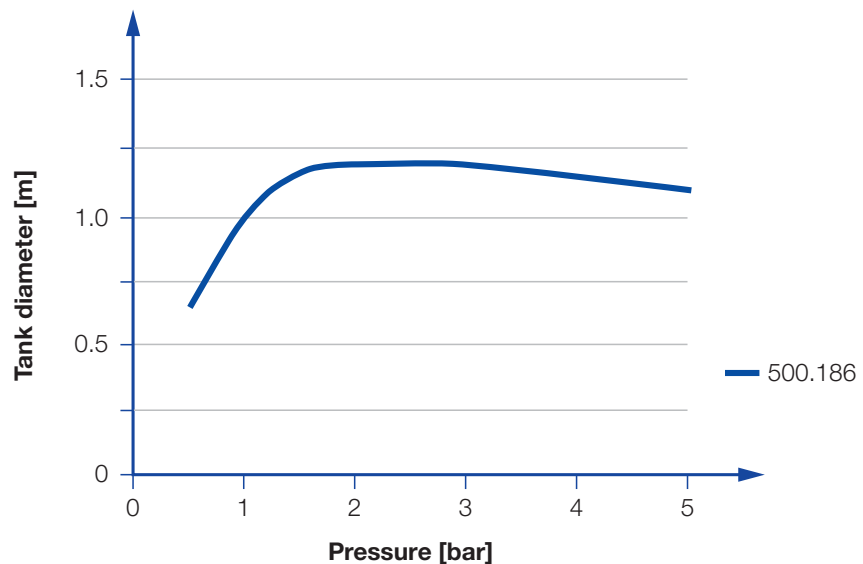
**Filtration**

Line strainer with a mesh size of 0.3 mm/50 mesh

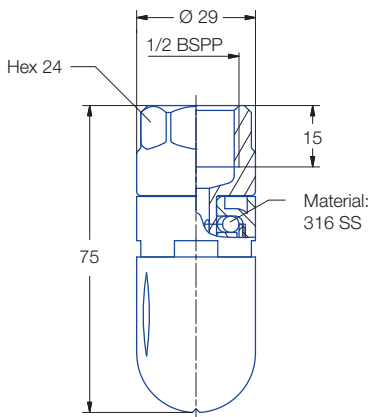


**Bearing**



Ball bearing made of stainless steel



Overview of the tank diameter, depending upon the pressure of series 500.186



Female thread

Spray angle 	Ordering number Type	E $\text{Ø}$ [mm]	$\dot{V}$ [l/min]				Max. tank diameter [m]
			p [bar] ( $p_{\text{max}} = 5 \text{ bar}$ )				
			1	2	3	at 40 psi [US gal/min]	
300° 	<b>500.186.56.AH</b>	1.9	13	18	22	6	1.3

E = narrowest free cross-section

The maximum tank diameter shown above applies for the recommended operating pressure and is indicative only. The cleaning result is also affected by the type of soiling.

### Information on operation

- Operation with compressed air only for short-term usage. Operation above the recommended operating pressure has negative effects on the cleaning result and wear.