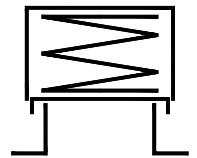


Type sheet

Pressure relief valve

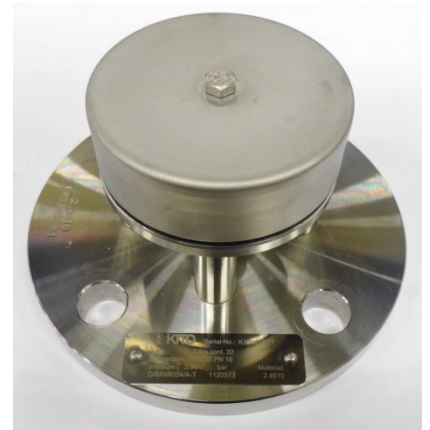
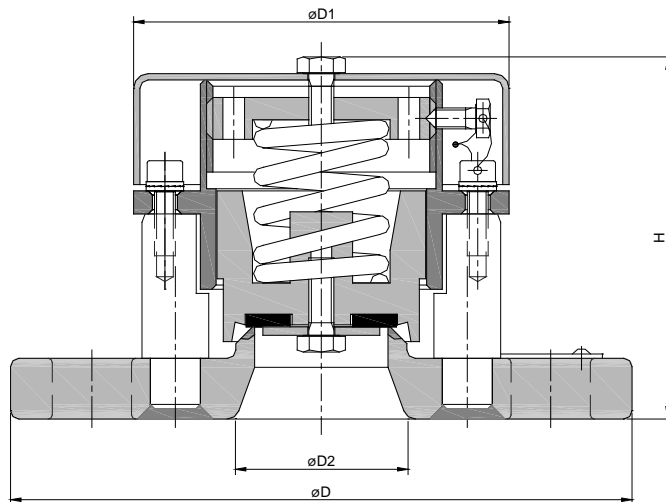
KITO® DS/o cont. 32



Application

Pressure relief valve for portable tanks, especially for rail tank cars and road tank cars for the transport of sodium Hypochlorite dilution (GGVSE class 8).

Dimensions (mm) and settings (bar)



DIN	ASME	D	D1	D2	H	setting	kg
40 PN 40	1 1/2"	149	90	45	90	3	3
50 PN 16	2"						

Weight refers to the standard design

Discharge flow rate:

3,3 bar ($p_e + 10\%$) = 10,5 m³/h

3,6 bar ($p_e + 20\%$) = 40 m³/h

3,9 bar ($p_e + 30\%$) = 54 m³/h

Example for order

KITO® DS/o cont. 32 DN 40 PN 40

(design with flange connection DN 40 PN 40 type A)

BAM-component identification D/BAM/024/A-T, DB-registration number BZA 32/84

Design

	standard	optionally
housing with bolts	Hastelloy C4	
valve sealing	Viton	
ronde	Hastelloy C4	
valve piston	PTFE	
piston guide tube	stainless steel mat. no. 1.4571	
threaded washer	stainless steel mat. no. 1.4571	
compression spring	stainless steel mat. no. 1.4571	
protective cap	stainless steel mat. no. 1.4571	
bolt (inside)	Hastelloy C4	
bolt (outside)	A2 / A4	
setting	sealed	
flange connection	drilled to EN 1092-1 type A	drilled to ASME B16.5 Class 150 RF

page 1 of 1