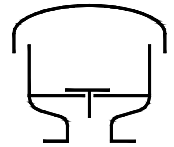




Type sheet Pressure relief valve KITO® DS/o cont. 25

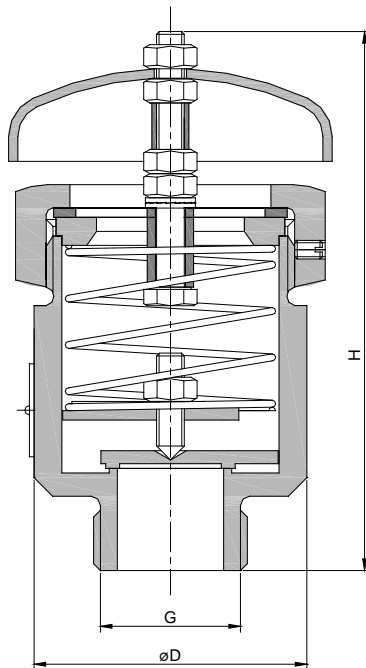


Application

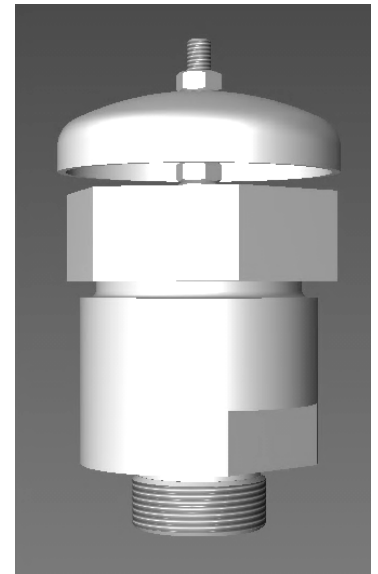
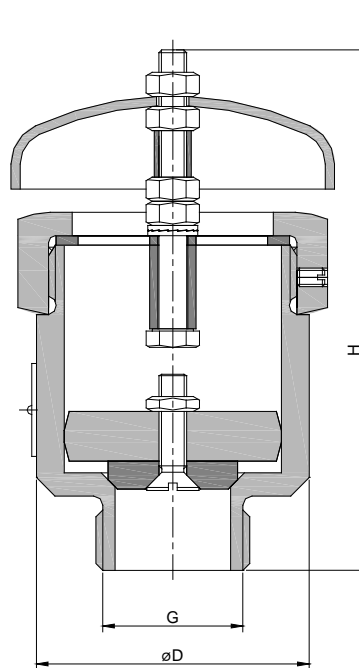
Pressure relief valve for portable tanks for the transport of non-inflammable liquids. To prevent inadmissible tank pressure by warming or filling. **Not explosion proof.**

Dimensions (mm) and settings (mbar)

Design A



Design B



	G	D	H	setting	~ kg
Design A	1"	59	116	> 25 - 210	1.0
Design B			112	10 - 20	

Weight refers to the standard design

Example for order

KITO® DS/o cont. 25 (20 mbar)
(design with threaded connection G 1", Design B)

Without EC certificate and CE-marking

Design

	Design A	Design B
housing		stainless steel mat. no. 1.4571
valve pallet		stainless steel mat. no. 1.4571
valve sealing	metal sealing	PTFE
compression spring	stainless steel mat. no. 1.4571	-
protective cap		stainless steel mat. no. 1.4301
connection		thread