


Fixed flange bearings with 2 mounting holes: EFOM



- iglidur® W300 extremely wear-resistant spherical ball
- Easy to fit
- Compensation of misalignment errors
- Absolute corrosion resistance
- Lightweight
- Maintenance-free dry operation

 **Service life calculation online**
▶ www.igus.eu/igubal-expert

Technical data

| Part No. | Max. permissible axial load | | Max. permissible radial load | | Max. tightening torque Holes [Nm] | Weight [g] |
|----------|-----------------------------|------------------|------------------------------|------------------|---|---------------|
| | Short-term [N] | Long-term [N] | Short-term [N] | Long-term [N] | | |
| | EFOM-04 | 400 | 200 | 750 | 375 | 0.6 |
| EFOM-05 | 400 | 200 | 750 | 375 | 0.6 | 2.3 |
| EFOM-06 | 500 | 250 | 800 | 400 | 0.6 | 1.8 |
| EFOM-08 | 700 | 350 | 1,100 | 550 | 1.3 | 4.1 |
| EFOM-10 | 850 | 425 | 2,000 | 1,000 | 2.5 | 6.8 |
| EFOM-12 | 1,100 | 550 | 2,200 | 1,100 | 2.5 | 8.9 |
| EFOM-15 | 1,300 | 650 | 2,400 | 1,200 | 4.5 | 15.0 |
| EFOM-16 | 1,400 | 700 | 2,800 | 1,400 | 4.5 | 17.7 |
| EFOM-17 | 1,800 | 900 | 3,200 | 1,600 | 4.5 | 24.9 |
| EFOM-20 | 1,800 | 900 | 5,500 | 2,750 | 10.5 | 32.8 |
| EFOM-25 | 3,000 | 1,500 | 6,000 | 3,000 | 10.5 | 58.5 |
| EFOM-30 | 3,500 | 1,750 | 6,500 | 3,250 | 21.5 | 78.9 |

Alternative spherical ball materials ▶ Page 841



J4VEM:
Clearance-free,
pre-loaded



JEM:
low moisture
absorption




REM:
Low-cost

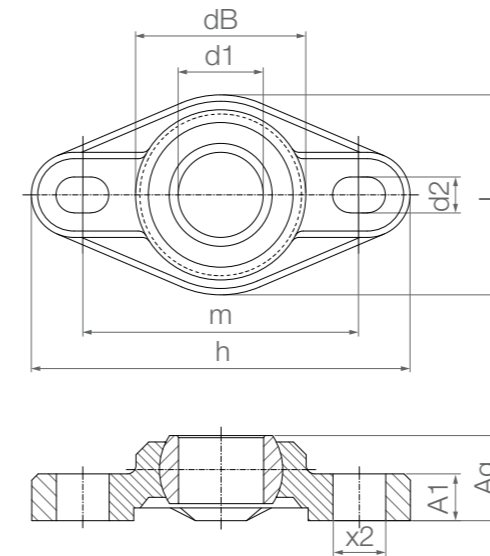


J4EM:
Low-cost and low
moisture absorption

Order key

| Type | Size [mm] |
|-----------------------------|-----------|
| E F O M -04 | |
| E series | |
| Fixed flange bearing | |
| 2 holes | |
| Metric | |
| Inner Ø | |

 **Material:**
Housing: **igumid G** ▶ Page 1654
Spherical ball: **igidur® W300** ▶ Page 171
Combination with **xiros®** ball bearings ▶ Page 937



Dimensions [mm]

| Part No. | d1 | dB | h | L | m | A1 | Ag | d2 | x2 | Max. pivot angle |
|----------|-----|------|-------|------|------|------|------|------|------|------------------|
| | E10 | | | | | | | | | |
| EFOM-04 | 4 | 14.0 | 33.8 | 16.0 | 24.0 | 4.5 | 8.0 | 3.2 | 5.0 | 28° |
| EFOM-05 | 5 | 14.0 | 33.8 | 16.0 | 24.0 | 4.5 | 8.5 | 3.2 | 5.0 | 29° |
| EFOM-06 | 6 | 14.0 | 33.8 | 16.0 | 24.0 | 4.5 | 8.5 | 3.2 | 5.0 | 25° |
| EFOM-08 | 8 | 18.0 | 44.2 | 22.0 | 31.0 | 5.5 | 10.5 | 4.3 | 6.5 | 25° |
| EFOM-10 | 10 | 22.2 | 52.0 | 26.0 | 36.0 | 6.5 | 12.0 | 5.3 | 8.0 | 25° |
| EFOM-12 | 12 | 25.0 | 56.7 | 31.0 | 41.0 | 7.0 | 13.0 | 5.3 | 8.0 | 21° |
| EFOM-15 | 15 | 29.8 | 68.6 | 36.0 | 50.0 | 8.5 | 15.5 | 6.4 | 10.0 | 20° |
| EFOM-16 | 16 | 32.0 | 72.6 | 38.0 | 53.0 | 10.0 | 17.5 | 6.4 | 10.1 | 27° |
| EFOM-17 | 17 | 34.8 | 74.6 | 41.0 | 55.0 | 10.0 | 18.0 | 6.4 | 10.2 | 21° |
| EFOM-20 | 20 | 40.0 | 89.0 | 47.0 | 65.0 | 11.0 | 20.0 | 8.4 | 12.5 | 19° |
| EFOM-25 | 25 | 48.5 | 101.0 | 58.5 | 75.0 | 14.0 | 25.0 | 8.4 | 12.6 | 15° |
| EFOM-30 | 30 | 55.0 | 118.0 | 65.0 | 87.5 | 15.0 | 26.0 | 10.5 | 16.0 | 14° |

Standard tolerances:

from 0.5 to 6mm: ±0.1mm
from 6 to 30mm: ±0.2mm
from 30 to 120mm: ±0.3mm