



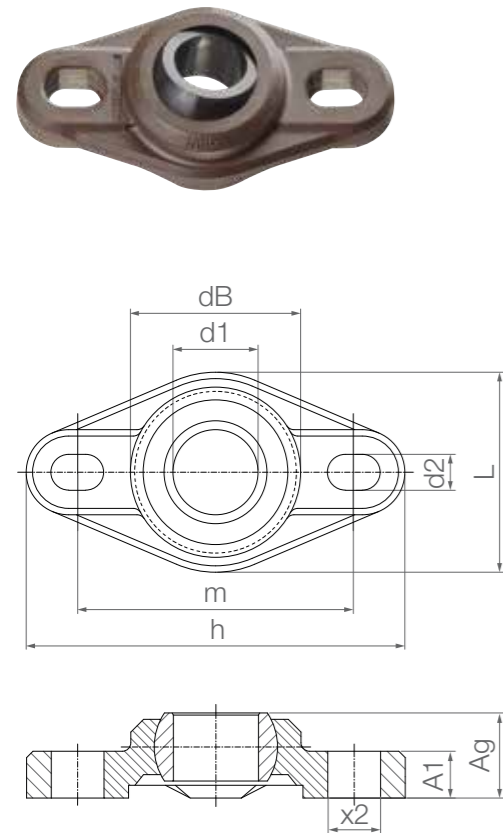
High-temperature fixed flange bearings with 2 mounting holes: EFOM-HT

 Order key

Type	Size [mm]	Version
E F O M - 06 - HT		
E series	Fixed flange bearing	2 holes
	Metric	Inner Ø [mm]
		High temperature

 **Material:**  
Housing: **iguton G** ▶ Page 1655  
Spherical ball: **iglidur® X** ▶ Page 279

- Applicable up to +200°C
- Easy to fit
- Compensation of misalignment errors
- Absolute corrosion resistance
- Lightweight
- Chemical-resistant (chemical table ▶ Page 1636)
- For underwater applications



Technical data

Part No.	Max. permissible axial load		Max. permissible radial load		Max. tightening torque Holes [Nm]	Weight [g]
	Short-term	Long-term	Short-term	Long-term		
	[N]	[N]	[N]	[N]		
EFOM-05-HT	275	138	460	230	0.6	2.5
EFOM-06-HT	300	150	611	305	0.6	2.3
EFOM-08-HT	644	322	934	467	1.3	5.0
EFOM-10-HT	764	382	1,000	500	2.5	8.3
EFOM-12-HT	874	437	1,290	645	2.5	10.7

Dimensions [mm]

Part No.	d1	dB	h	L	m	A1	Ag	d2	x2	Max. pivot angle
	E10		Length	Width	Hole pitch ±0.1	Height of plate	Total height	Elongated hole		
EFOM-05-HT	5	14	33.8	16	24	4.5	8.5	3.2	5.0	29°
EFOM-06-HT	6	14	33.8	16	24	4.5	8.5	3.2	5.5	27°
EFOM-08-HT	8	18	44.2	22	31	5.5	10.5	4.3	6.5	24°
EFOM-10-HT	10	22	52.0	26	36	6.5	12.0	5.3	8.0	24°
EFOM-12-HT	12	25	56.7	31	41	7.0	13.0	5.3	8.0	21°

Other dimensions available upon request

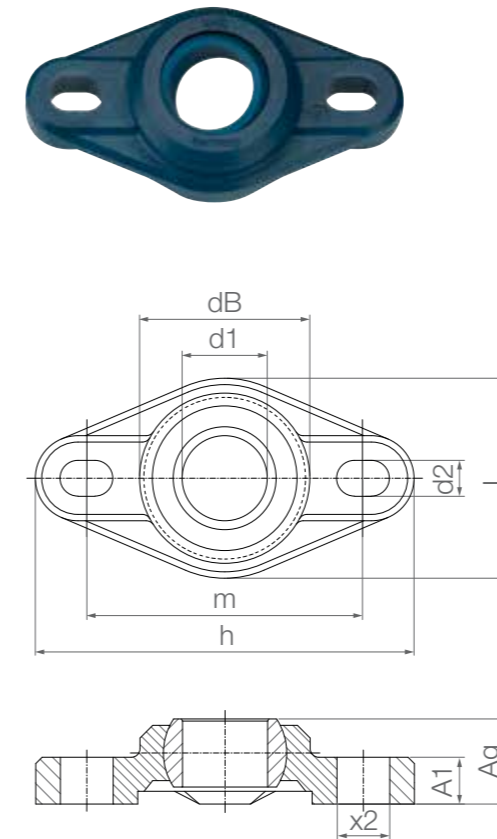
Fixed flange bearings for contact with food: EFOM-FC

 Order key

Type	Size [mm]	Version
E F O M - 20 - FC		
E series	Fixed flange bearings	2 holes
	Metric	Inner Ø [mm]
		Suitable for food contact

 **Material:**  
Housing: **igumid FC** ▶ Page 1655  
Spherical ball: **iglidur® FC180** ▶ Page 1652

- Made from FDA and EU10/2011-compliant materials
- Lubrication and maintenance-free
- Optically and magnetically detectable
- In industry standard blue
- Corrosion and media-resistant
- Vibration-dampening
- Cost-effective



Technical data

Part No.	Max. permissible axial load		Max. permissible radial load	Max. tightening torque Holes [Nm]	Weight [g]
	Short-term	Long-term			
	[N]	[N]	[N]		
EFOM-20-FC <b>New</b>	1,500	750	5,500	10.0	35.5

Dimensions [mm]

Part No.	d1	dB	h	L	m	A1	Ag	d2	x2	Max. pivot angle
	E10		Length	Width	Hole pitch ±0.1	Height of plate	Total height	Elongated hole		
EFOM-20-FC <b>New</b>	20	40	89	47	65	11	20	8.4	12.5	19°

Other dimensions available upon request