

Lumistar Timer for Ex- and Non Ex-hazardous areas, internal

The integrally fitted Lumistar timer enables the unit to be switched on directly or indirectly. After a preprogrammed interval (appx. 5 minutes) the luminaire is automatically switched off.

- **Application:**

For all visual control operations that require only temporary, short-term illumination of the container interior. This results in a longer service life of the lamps in the Lumistar luminaires. This means performance savings and temperature reduction.

The Lumistar timer is so compact that it will fit into almost all more sized Lumistar luminaires:

Lumistar luminaires for non Ex hazardous areas:

- Lumistar luminaires type Lumistar, size 175 to 225
- Lumistar luminaires type USL, beginning from USL 06

Lumistar luminaires for Ex hazardous areas:

- Lumistar luminaires type USL, beginning from USL 06-Ex

- **Protection:** corresponds to luminaire specification

- **Fitting and function:**

The Lumistar timer is either fitted or can be retrospectively fitted at manufacturer's works into the relevant Lumistar luminaire.

- **Two alternative operating functions can be used:**

Once voltage is applied to the luminaire, the timed lighting starts automatically and runs for a period of around five minutes.

1. Remote control

If the applied voltage is momentarily interrupted (for about 1 or 2 seconds), for instance by pressing a pushbutton (break contact), the automatic process is restarted.

2. Direct control

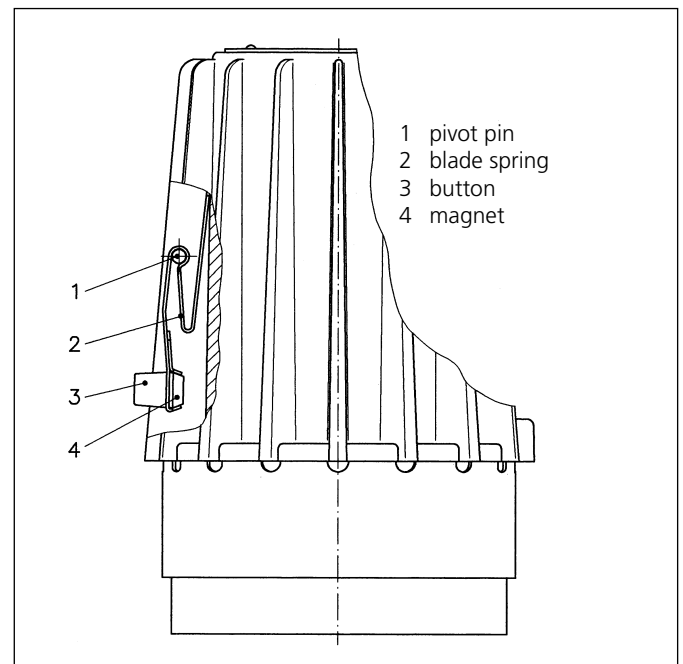
The automatic process is restarted by a spring-loaded lever or a pushbutton located on the outside of the Lumiglas luminaire housing (depending on the version).

- **Operating voltage:** 12 V, 24 V, 120 V, 230 V

- **Power:** max. 50 W (12 V)
max. 100 W (24 V, 120 V, 230 V)



Lumistar timer as optional feature for Ex- and Non Ex-Lumistar luminaires



Switching mechanism